



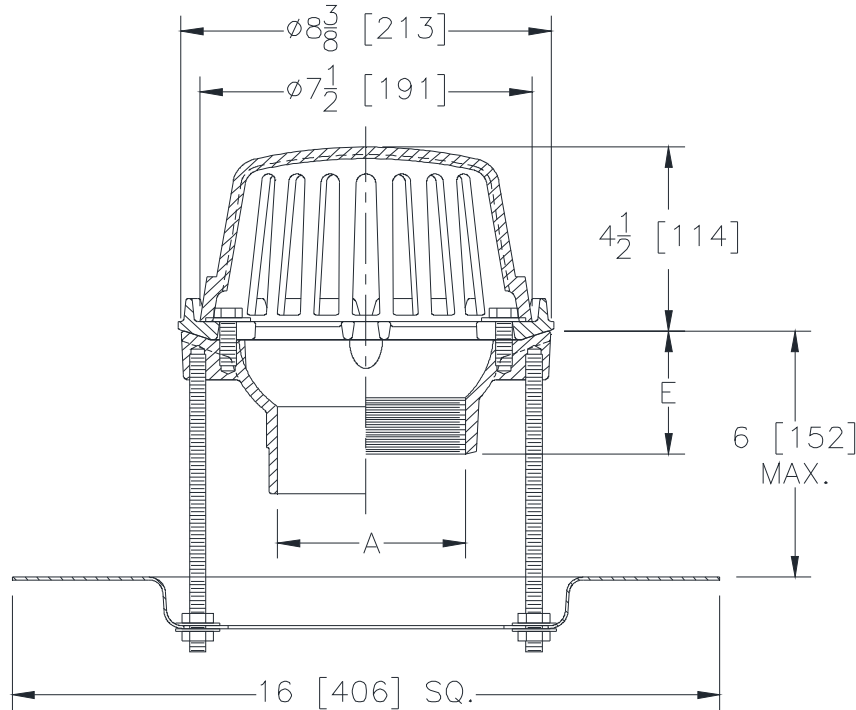
# Z125-EB

## 8-3/8 [213] DIAMETER ROOF DRAIN W/ TOP-SET® ADJUSTABLE EXTENSION ASSEMBLY

SPECIFICATION SHEET

TAG \_\_\_\_\_

Dimensional Data (inches and [ mm ]) are Subject to Manufacturing Tolerances and Change Without Notice



A Pipe Size In.[mm]	Approx. Wt. Lbs. [kg]	Dome Open Area Sq. In. [cm <sup>2</sup> ]
2,3,4 [51,76,102]	22 [10]	43 [277]

**ENGINEERING SPECIFICATION: ZURN Z125-EB**  
8-3/8" [213mm] Diameter roof drain, Dura-Coated cast iron body with combination membrane flashing clamp/gravel guard, Top-Set® adjustable extension assembly, and low silhouette Poly-Dome.

**OPTIONS** (Check/specify appropriate options)

PIPE SIZE	(Specify size/type) OUTLET	'E' BODY HT. DIM.
2,3,4 [51,76,102]	___ IC Inside Caulk	3-7/8 [98]
2 [51]	___ IP Threaded	2-7/16 [62]
3 [76]	___ IP Threaded	2-3/4 [70]
4 [102]	___ IP Threaded	3 [76]
2,3,4 [51,76,102]	___ NH No-Hub	4 [102]
2,3,4 [51,76,102]	___ NL Neo-Loc	3-13/16 [97]

**PREFIXES**

- \_\_\_ Z D.C.C.I. Body with Poly-Dome (4-1/4 [108] Dome Height)\*
- \_\_\_ ZA D.C.C.I. Body with Aluminum Dome (4-1/4 [108] Dome Height)
- \_\_\_ ZC D.C.C.I. Body with Low Silhouette Cast Iron Dome (4-1/4 [108] Dome Height)

**SUFFIXES**

- |  |   |
|--|---|
| ___ -AR Acid Resistant Epoxy Coated Finish                                   | ___ -VP Vandal-Proof Secured Top                |
| ___ -E 2 [51] High Static Extension (Specify Height)                         | ___ -XJ Vertical Expansion Joint (See Z190)     |
| ___ -FG Flush Grate  | ___ -84 Stainless Steel Perforated Gravel Guard |
| ___ -G Galvanized Cast Iron  | ___ -85 Stainless Steel Perforated Extension    |
| ___ -SC Secondary Clamping Collar  | ___ -89 2 [51] High External Water Dam          |
| ___ -SS Stainless Mesh Screen Over Dome                                      |   |
| ___ -TC Neo-Loc Test Cap Gasket<br>(2,3,4 [51,76,102] NL Bottom Outlet Only) |   |

\* Regularly furnished unless otherwise specified.