

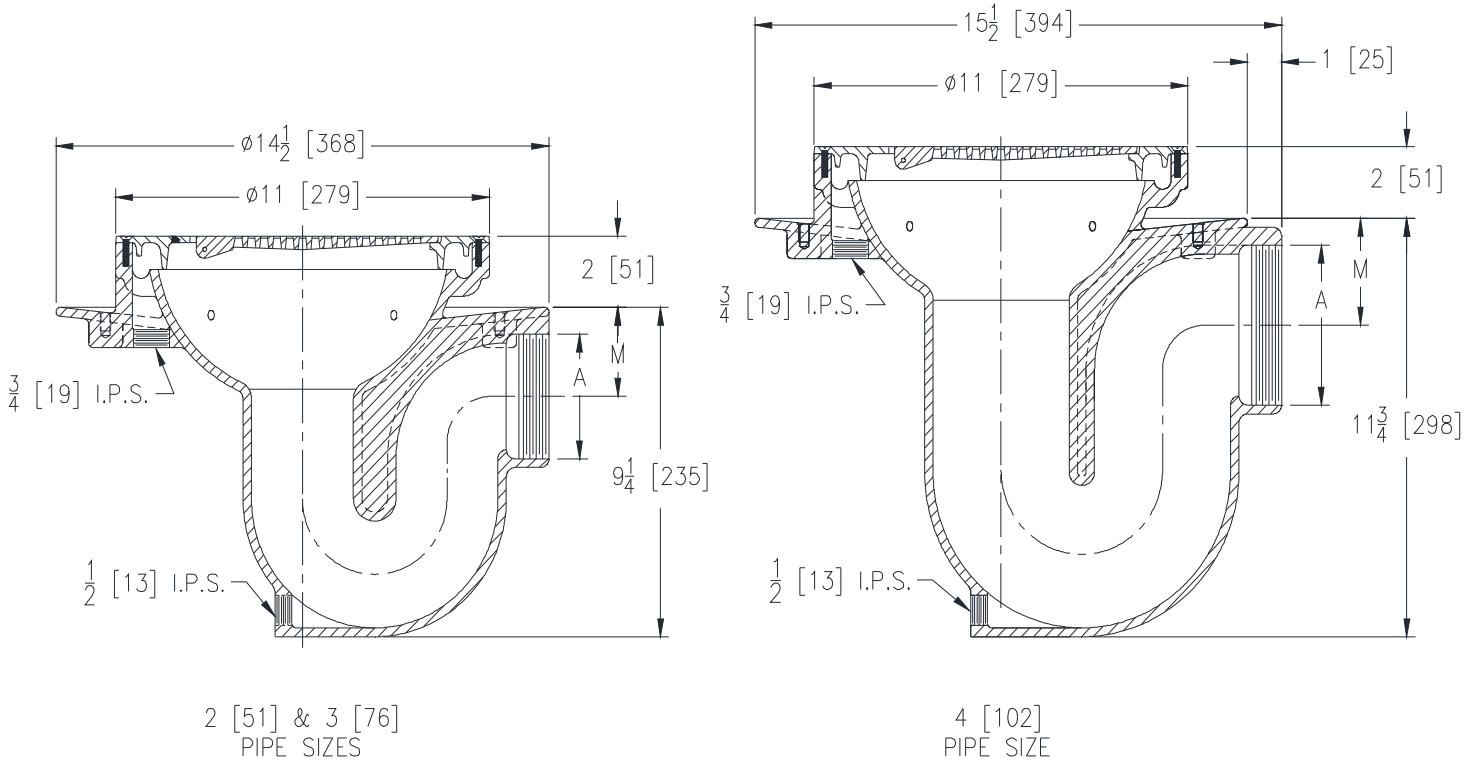


**Z300-VP**  
**THOROFLUSH DRAIN**  
**W/ VANDAL-PROOF SCREWS IN FRAME**

**SPECIFICATION SHEET**

**TAG** \_\_\_\_\_

Dimensional Data (inches and [ mm ]) are Subject to Manufacturing Tolerances and Change Without Notice



Dimensions in Inches[mm]		Approx. Wt. lbs.[kg]	Grate Open Area in. <sup>2</sup> [cm <sup>2</sup> ]
A-Pipe Size	M		
2 [51]	3 [76]	50 [23]	18 [116]
3 [76]	2-1/2 [64]		
4 [102]	3 [76]		

**ENGINEERING SPECIFICATION: ZURN Z300-VP**  
 11" [279mm] Top Thoroflush Drain with integral double wall trap, cast iron body with white acid resistant epoxy coated exterior and interior, side outlet with seepage pan, nickel bronze flushing rim top, vandal-proof screws in frame and slotted hinged grate.

**OPTIONS** (Check/specify appropriate options)

**PIPE SIZE**  
 2,3,4 [51,76,102]

(Specify size) **OUTLET**  
 \_\_\_\_\_ IP Threaded

**PREFIXES**

- \_\_\_\_\_ ZB Cast Iron Body w/A.R.C. Interior and Exterior w/Polished Bronze Top
- \_\_\_\_\_ ZN Cast Iron Body w/A.R.C. Interior and Exterior w/Polished Nickel Bronze Top\*

**SUFFIXES**

- \_\_\_\_\_ -C Clamping Collar
- \_\_\_\_\_ -FG Free Set Grate
- \_\_\_\_\_ -IG Integral Grate
- \_\_\_\_\_ -SC Solid Cover
- \_\_\_\_\_ -ST Solid Hinged Top
- \_\_\_\_\_ -WB Water Supply Control Box (See Z1464)

\* Regularly furnished unless otherwise specified.