



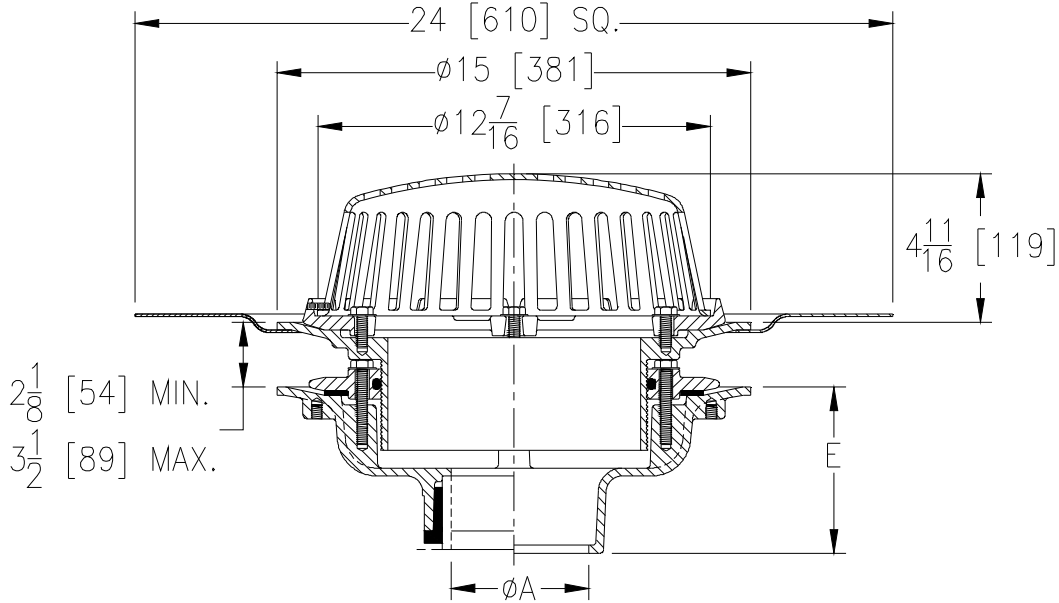
ZC100-EA-R-VP

15 [381] DIAMETER MAIN ROOF DRAIN WITH ADJUSTABLE EXTENSION ASSEMBLY, ROOF SUMP RECEIVER AND VANDAL-PROOF SECURED CAST IRON DOME

SPECIFICATION SHEET

TAG _____

Dimensional Data (inches and [mm]) are Subject to Manufacturing Tolerances and Change Without Notice



A Pipe Size In [mm]	Approx. Wt. Lbs. [kg]	Dome Open Area Sq. In. [cm ²]
2, 3, 4 [51, 76, 102]	63 [29]	103 [665]
6 [152]	63 [29]	
8 [203]	64 [29]	

ENGINEERING SPECIFICATION: ZURN ZC100-EA-R-VP

15" [381mm] Diameter roof drain. Dura-Coated cast iron body with combination membrane flashing clamp/gravel guard, adjustable extension assembly, roof sump receiver and vandal-proof secured cast iron dome.

OPTIONS (Check/specify appropriate options)

PIPE SIZE

- 3, 4, 6 [76, 102, 152]
- 2, 3, 4, 6, 8 [51, 76, 102, 152, 203]
- 2, 3, 4, 6, 8 [51, 76, 102, 152, 203]
- 2, 3, 4 [51, 76, 102]
- 6 [152]

(Specify size/type) **OUTLET**

- _____ IC Inside Caulk
- _____ IP Threaded
- _____ NH No-Hub
- _____ NL Neo-Loc
- _____ NL Neo-Loc

E BODY HT. DIM.

- 5-1/4 [133]
- 3-3/4 [95]
- 5-1/4 [133]
- 4-9/16 [116]
- 5-7/16 [112]

PREFIXES

- _____ ZC D.C.C.I. Body with Cast Iron Dome*

SUFFIXES

- | | |
|---|---|
| _____ -AC Angular Underdeck Clamp | _____ -W3 3 [76] Internal Water Dam |
| _____ -AR Acid Resistant Epoxy Coated | _____ -W4 4 [102] Internal Water Dam |
| _____ -AW 3/4 [19] thru 4 [102] Adjustable Water Level Regulator (Specify Height) | _____ -84 Stainless Steel Perforated Gravel Guard |
| _____ -C Underdeck Clamp | _____ -85 Stainless Steel Perforated Extension |
| _____ -E Static Extension 1 [25] thru 4 [102] (Specify Height) | _____ -89 2 [51] High External Water Dam |
| _____ -G Galvanized Cast Iron | _____ -90 90° Threaded Side Outlet Body |
| _____ -SC Secondary Clamp Collar | |
| _____ -SS Stainless Steel Mesh Screen Over Dome | |
| _____ -ST Dome with Solid Top | |
| _____ -TC Neo-Loc Test Cap Gasket (2,3,4 [51,76,102] NL Bottom Outlet Only) | |
| _____ -W2 2 [51] Internal Water Dam | |

* Regularly furnished unless otherwise specified.