



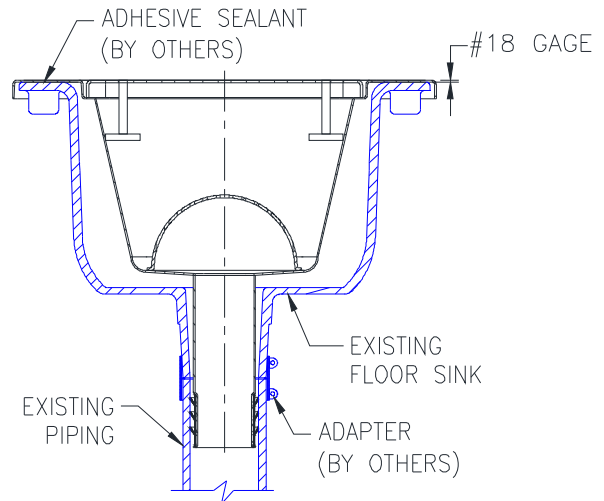
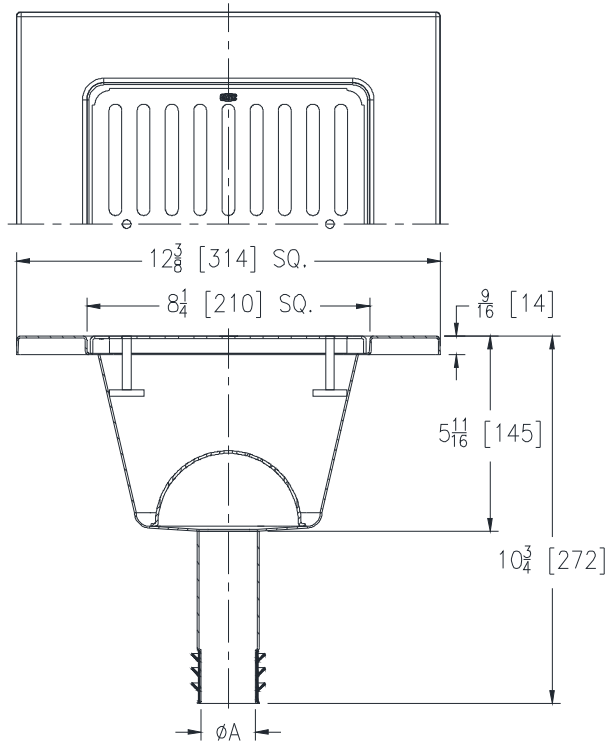
# Z1900-RL-78

12 x 12 x 6 [305 x 305 x 152] REPLACEMENT FLOOR SINK LINER WITH VANDAL-PROOF GRATE

SPECIFICATION SHEET

TAG \_\_\_\_\_

Dimensional Data (inches and [ mm ]) are Subject to Manufacturing Tolerances and Change Without Notice



Approx. Wt. Lbs. [kg]	Grate Open Area Sq. In. [cm <sup>2</sup> ]
6 [3]	21.1 [136]

### Engineering Specification: ZURN Z1900-RL-78

12" x 12" x 6" [305mm x 305mm x 152mm] Deep, 18 gage, all Type 304 (CF8) fabricated stainless steel replacement floor sink liner, with internal pipe gasket seal, light-duty slotted, vandal-proof secured grate and perforated removable dome strainer.

**Options** (Check/specify appropriate options)

### Pipe Size (ØA)

2,3,4 [51,76,102]

### Prefixes

\_\_\_ Z All Type 304 (CF8) Fabricated Stainless Steel\*

### Suffixes

\_\_\_ -2 1/2 Grate  
 \_\_\_ -3 3/4 Grate  
 \_\_\_ -Y Sediment Bucket

\* Regularly furnished unless otherwise specified.