



# Z1202-2HD4

EZCARRY™ ADJUSTABLE VERTICAL BACK-TO-BACK  
HIGH PERFORMANCE SIPHON JET HUB AND SPIGOT  
WATER CLOSET CARRIER SYSTEM W/ TWO SIDE INLETS

SPECIFICATION SHEET

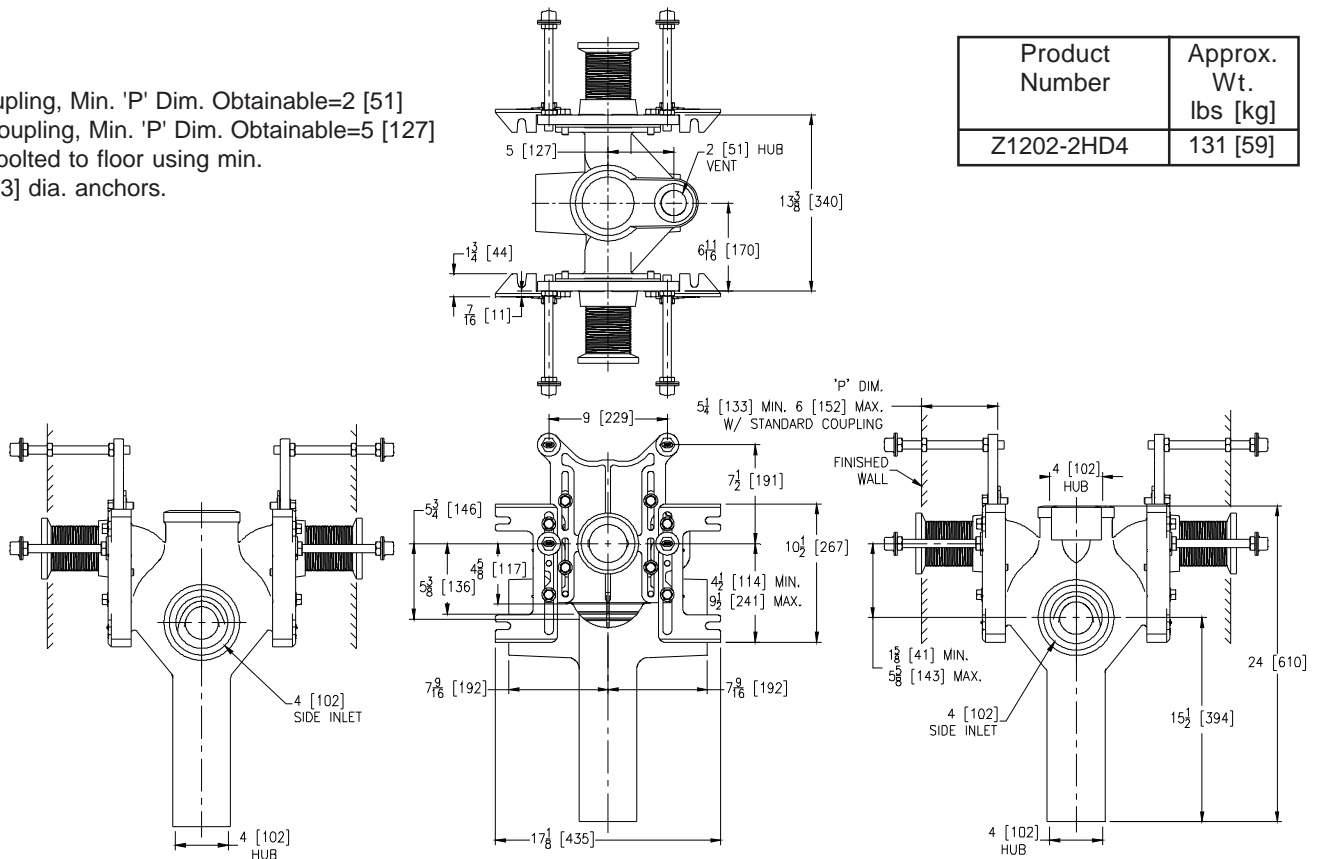
TAG \_\_\_\_\_

Dimensional Data (inches and [mm]) are Subject to Manufacturing Tolerances and Change Without Notice

Note:

1. Z Coupling, Min. 'P' Dim. Obtainable=2 [51]  
ZQ Coupling, Min. 'P' Dim. Obtainable=5 [127]
2. Feet bolted to floor using min.  
1/2 [13] dia. anchors.

Product Number	Approx. Wt. lbs [kg]
Z1202-2HD4	131 [59]



## ENGINEERING SPECIFICATION: ZURN Z1202-2HD4

EZCarry™ vertical siphon jet water closet carrier system with high performance waterway and 4" [102mm] hub and spigot connections. System includes Dura-Coated cast iron double main fitting with hydro-mechanically optimized sweep and extended 2" [51mm] vent, with two 4" [102mm] side inlets, adjustable gasketed faceplates, universal floor mounted pre-fab slotted foot supports, fixture bolts, trim, stud protectors, bonded "Neo-Seal" gaskets, and corrosion resistant, adjustable 3" [76mm] dia. X 6" [152mm] couplings with integral test caps designed to increase flow velocity and line carry. EZCarry system complies with the requirements of ASME A112.6.1M up to a 500 lbs [227 kg] static load rating.

## OPTIONS (Check/specify appropriate options)

Z1202-2HD4 4 [102] Hub and Spigot Stack, Double Inlets, Two 4 [102] Side Inlets, 2 [51] Vent

## PREFIXES

- \_\_\_ Z D.C.C.I. System with Zurn ZZ Adjustable Coupling\*
- \_\_\_ ZQ D.C.C.I. System with NPT Faceplate, Non-Adjustable Coupling

## SUFFIXES

- \_\_\_ -A Auxiliary Support Assembly (For 'P' Dim. Greater than 18 [457])
- \_\_\_ -CC Corrosion Resistant Cast Iron Coupling (2-1/4 [57] to 12 [305])
- \_\_\_ -CE EZ-Set™ Coupling (Available 6 [152], 12 [305] or longer when specified. Minimum length=5 [127])
- \_\_\_ -CL Custom Length Standard Coupling with Integral Test Cap (Specify Length 4, 8, 10, 12 [102, 203, 254, 305])
- \_\_\_ -CS 2-1/4 [57] Polymer Coupling with Integral Test Cap
- \_\_\_ -F Floor Mounted, Back Outlet Fixture Support
- \_\_\_ -G Galvanized Cast Iron
- \_\_\_ -M Auxiliary Foot Support (for 'P' Dim. 10 thru 18 [254 thru 457])
- \_\_\_ -RYK Unistrut Pre-Fab Foot Support
- \_\_\_ -RYK17 One Piece Unistrut Pre-Fab Foot
- \_\_\_ -VP Vandal-Proof Trim
- \_\_\_ -45 Finishing Frame for Siphon Jet System
- \_\_\_ -50 Flush Valve Supply Support for Water Closets

\* Regularly furnished unless otherwise specified.

Zurn Industries, LLC | Specification Drainage Operation  
1801 Pittsburgh Avenue, Erie, PA U.S.A. 16502 · Ph. 855-663-9876, Fax 814-454-7929  
In Canada | Zurn Industries Limited  
3544 Nashua Drive, Mississauga, Ontario L4V 1L2 · Ph. 905-405-8272, Fax 905-405-1292  
[www.zurn.com](http://www.zurn.com)

Rev. D  
Date: 09/01/16  
C.N. No. 135088  
Prod. | Dwg. No. Z1202-2HD4