

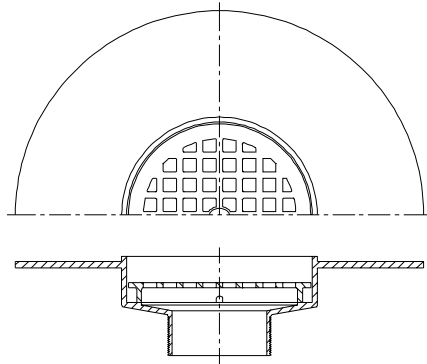


Z-415-134

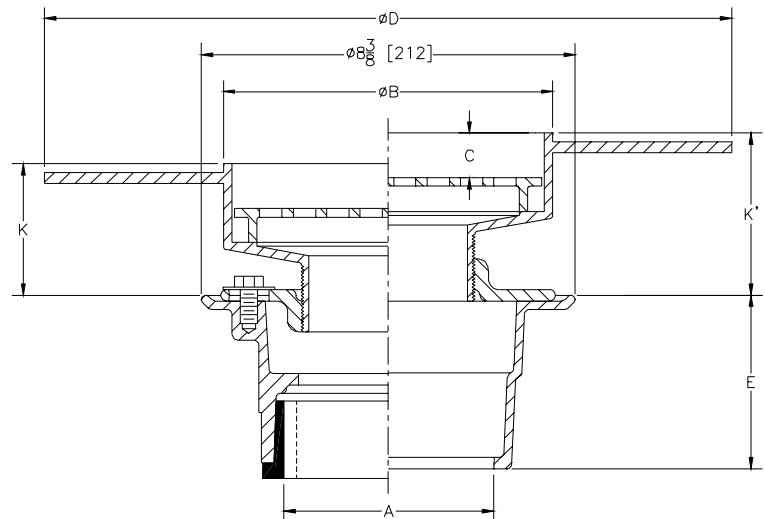
BODY ASSEMBLY WITH "TYPE I" STRAINER & DEX-O-TEX FLANGE

TAG _____

Dimensional Data (inches and [mm]) are Subject to Manufacturing Tolerances and Change Without Notice



"TYPE I" STRAINER



Dimensions In Inches								Approx. Wt. Lbs. [kg]	Strainer Open Area Sq. In. [cm ²]
A - Pipe Size	B Strainer Dia.	C	D	K		K'			
				Min.	Max.	Min.	Max.		
2-3 [50-75]	5 [127]	3/4 [19]	13 [330]	1 5/8 [41]	2 3/4 [70]	2 1/2 [64]	3 1/2 [89]	14 [6]	8 [52]
2-3-4 [50-75-100]	7 [178]	1 [25]	15 [381]	2 1/4 [57]	2 3/8 [60]	3 1/8 [79]	4 1/4 [108]	19 [9]	13 [84]
3-4 [75-100]	9 [229]	1/2 [13]	17 [432]	2 [51]	3 [76]	2 7/8 [73]	4 [102]	23 [10]	23 [148]
6 [150]	9 [229]	1/2 [13]	17 [432]	2 [51]	2 7/8 [73]	2 7/8 [73]	4 [102]	23 [10]	23 [148]

ENGINEERING SPECIFICATION: ZURN ZN-415-134 Floor and shower drain, Dura-Coated cast iron body with bottom outlet, combination invertible membrane clamp and adjustable collar with "TYPE I" polished nickel bronze strainer with raised Dex-o-tex flange.

OPTIONS (Check/specify appropriate options)

PIPE SIZE	(Specify size/type)	OUTLET	'E' BODY HT. DIM.
2 thru 4 [50 thru 100]	_____	IC Inside Caulk	3 7/8 [98]
2 [50]	_____	IP Threaded	2 3/8 [60]
3 [75]	_____	IP Threaded	2 5/8 [67]
4 [100]	_____	IP Threaded	2 7/8 [73]
6 [150]	_____	IP Threaded	2 3/4 [70]
2 thru 4 [50 thru 100]	_____	NH No-Hub	3 7/8 [98]
2 thru 4 [50 thru 100]	_____	NL Neo-Loc	4 5/8 [117]

PREFIXES

- _____ ZB- D.C.C.I. Body Assembly w/Polished Bronze Top
- _____ ZN- D.C.C.I. Body Assembly w/Polished Nickel Bronze Top*

SUFFIXES

- _____ -AR Acid Resisting Epoxy Coated Cast Iron
- _____ -VP Vandal-Proof Secured Top
- _____ -G Galvanized Cast Iron
- _____ -Y Sediment Bucket
- _____ -P Trap Primer Connection (Specify 1/2 [13] or 3/4 [19])
- _____ -90 90° Threaded Side Outlet Body (2 [50], 3 [75] Only)
- _____ -TS Top Secured w/Slotted Screws
- _____ -U 3 [76] High Extension Adapter
- _____ -V Backwater Valve

REV. A	DATE: 02/09/01	C.N. NO. 87278
DWG. NO. P-14521 PRODUCT NO. Z-415-134		

*REGULARLY FURNISHED UNLESS OTHERWISE SPECIFIED