



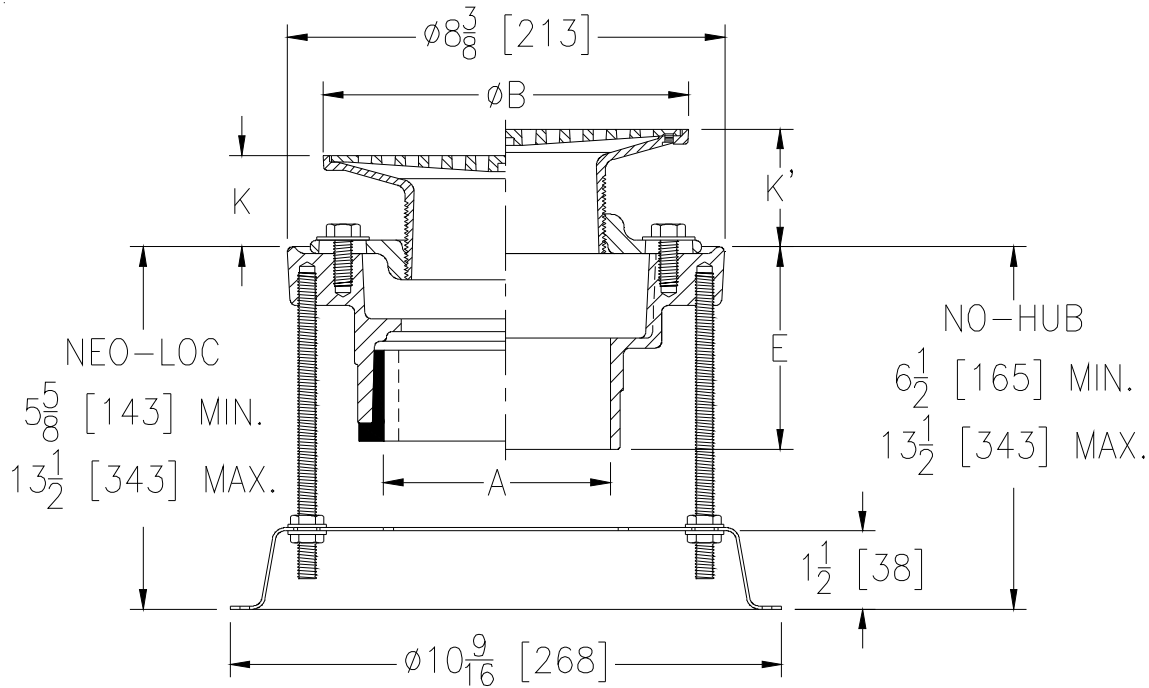
Z415B-SA

FLOOR AND SHOWER DRAIN W/ "TYPE B" STRAINER AND STABILIZER ASSEMBLY

SPECIFICATION SHEET

TAG _____

Dimensional Data (inches and [mm]) are Subject to Manufacturing Tolerances and Change Without Notice



Dimensions In Inches [mm]						Approx. Wt. Lbs. [kg]	Strainer Open Area Sq. In. [cm ²]
A- Pipe Size Inches [mm]	B- Strainer Dia.	K		K'			
		Min	Max	Min	Max		
2,3 [51,76]	5 [127]	1 [25]	1-1/2 [38]	1-3/32 [28]	2-1/4 [57]	11 [5]	6-1/4 [40]
2,3,4 [51,76,102]	6 [152]	1 [25]	1-25/32 [45]	1-13/32 [36]	2-17/32 [64]	13 [6]	9 [58]
	7 [178]	1 [25]	2-1/8 [54]	1-23/32 [44]	2-7/8 [73]	14 [6]	12 [77]
3,4 [76,102]	8 [203]	1-5/32 [30]		1-3/4 [44]		16 [7]	19 [123]

ENGINEERING SPECIFICATION: ZURNZN415B-SA

Floor and shower drain, Dura-Coated cast iron body with bottom outlet, combination invertible membrane clamp and adjustable collar with seepage slots, "TYPE B" polished nickel bronze light duty strainer and stabilizer assembly.

OPTIONS (Check/specify appropriate options)

PIPE SIZE

2,3,4 [51,76,102]
2,3,4 [51,76,102]

(Specify size/type) OUTLET

_____ NH No-Hub
_____ NL Neo-Loc

E BODY HT. DIM.

3-13/16 [97]
3-7/8 [98]

PREFIXES

_____ ZB D.C.C.I. Body with Polished Bronze Top
_____ ZN D.C.C.I. Body with Polished Nickel Bronze Top*

SUFFIXES

_____ -AR Acid Resistant Epoxy Coated Cast Iron	_____ -PC Protective Cover
_____ -CP Chrome-Plated Bronze Top	_____ -TC Neo-Loc Test Cap Gasket (2,3,4 [51,76,102] NL Bottom Outlet Only)
_____ -G Galvanized Cast Iron	_____ -U 1 - 3 [25 - 76] High Extension Adapter
_____ -HD Heavy-Duty Slotted Grate (ZN 5,6 [127,152] only)	_____ -V Backwater Valve
_____ -OF Oval Funnel (6,7,8 [152,178,203] Strainers only)	_____ -VP Vandal Proof Secured Top
_____ -P Trap Primer Connection (Specify 1/2 [13] or 3/4 [19])	_____ -Y Sediment Bucket
	_____ -4 4 [102] Diameter Funnel

* Regularly furnished unless otherwise specified.