



# ZE1201-ND4-RYK17

17 [431] ONE PIECE RYK FOOT SUPPORT ELONGATED  
 BARRELL FITTING 38 [965] EZCARRY® ADJUSTABLE  
 HORIZONTAL HIGH PERFORMANCE SIPHON JET NO-HUB  
 WATER CLOSET CARRIER SYSTEM

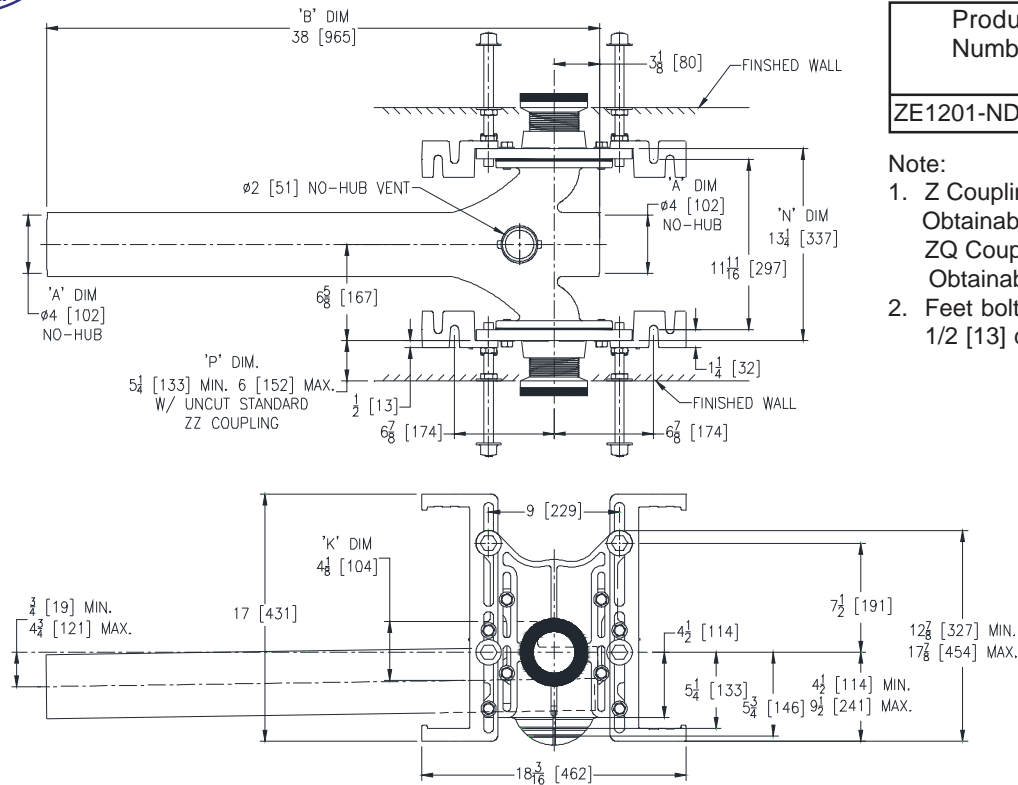
SPECIFICATION SHEET

TAG \_\_\_\_\_

Dimensional Data (inches and [mm]) are Subject to Manufacturing Tolerances and Change Without Notice

**PATENT  
 PENDING**

**ZE1201-ND4-RYK17 Illustrated**



Product Number	Approx. Wt. lbs [kg]
ZE1201-ND4-RYK17	103 [47]

**Note:**

- Z Coupling, Min. 'P' Dim. Obtainable=2 [51]  
 ZQ Coupling, Min. 'P' Dim. Obtainable=5 [127]
- Feet bolted to floor using min. 1/2 [13] dia. anchors.

**ENGINEERING SPECIFICATION: ZURN ZE1201-ND4-RYK17**

EZCarry® horizontal siphon jet water closet carrier system, with high performance Dura-Coated cast iron main fitting with hydromechanically optimized sweeps, 4" [102 mm] no-hub connections, 38" [965 mm] barrel for stall to stall direct connection, and extended 2" [51 mm] vent. Corrosion resistant, adjustable 3" [76 mm] dia. X 6" [152 mm] couplings with integral test caps, designed to increase flow velocity and line carry, and labor saving "Neo-Seal" bonded gaskets optimize flow performance while reducing installation steps. Complete system includes adjustable, gasketed faceplates; floor mounted 17" [432 mm] one piece RYK foot supports; fixture bolts, trim, and stud protectors. EZCarry® narrow wall system complies with all applicable requirements of ASME A112.6.1M up to a 500 lbs [227 kg] maximum static load.

**OPTIONS** (Check/specify appropriate options)

ZE1201-ND4-RYK17      4 [102] No-Hub Back-to-Back Inlet (Double)

**PREFIXES**

- \_\_\_ ZE D.C.C.I. System with Zurn ZZ Adjustable Coupling\*
- \_\_\_ ZQE D.C.C.I. System with NPT Faceplate, Non-Adjustable Coupling

**SUFFIXES**

- \_\_\_ -A Auxiliary Support Assembly (For 'P' Dim. Greater than 18 [457])
- \_\_\_ -CC Corrosion Resistant Cast Iron Coupling (2-1/4 to 12 [57 to 305])
- \_\_\_ -CE EZ-Set™ Coupling (Available 6 [152], 12 [305] or longer when specified. Minimum length=5 [127])
- \_\_\_ -CL Custom Length Standard Coupling with Integral Test Cap (Specify Length 4, 8, 10, 12 [102, 203, 254, 305])
- \_\_\_ -CS 2-1/4 [57] Polymer Coupling with Integral Test Cap (ZZ Coupling Only)
- \_\_\_ -F Floor Mounted, Back Outlet Fixture Support
- \_\_\_ -G Galvanized Cast Iron
- \_\_\_ -M Auxiliary Foot Support (for 'P' Dim. 10 thru 18 [254 thru 457])
- \_\_\_ -VP Vandal-Proof Trim
- \_\_\_ -45 Finishing Frame for Siphon Jet System
- \_\_\_ -50 Flush Valve Supply Support for Water Closets

\* Regularly furnished unless otherwise specified.