

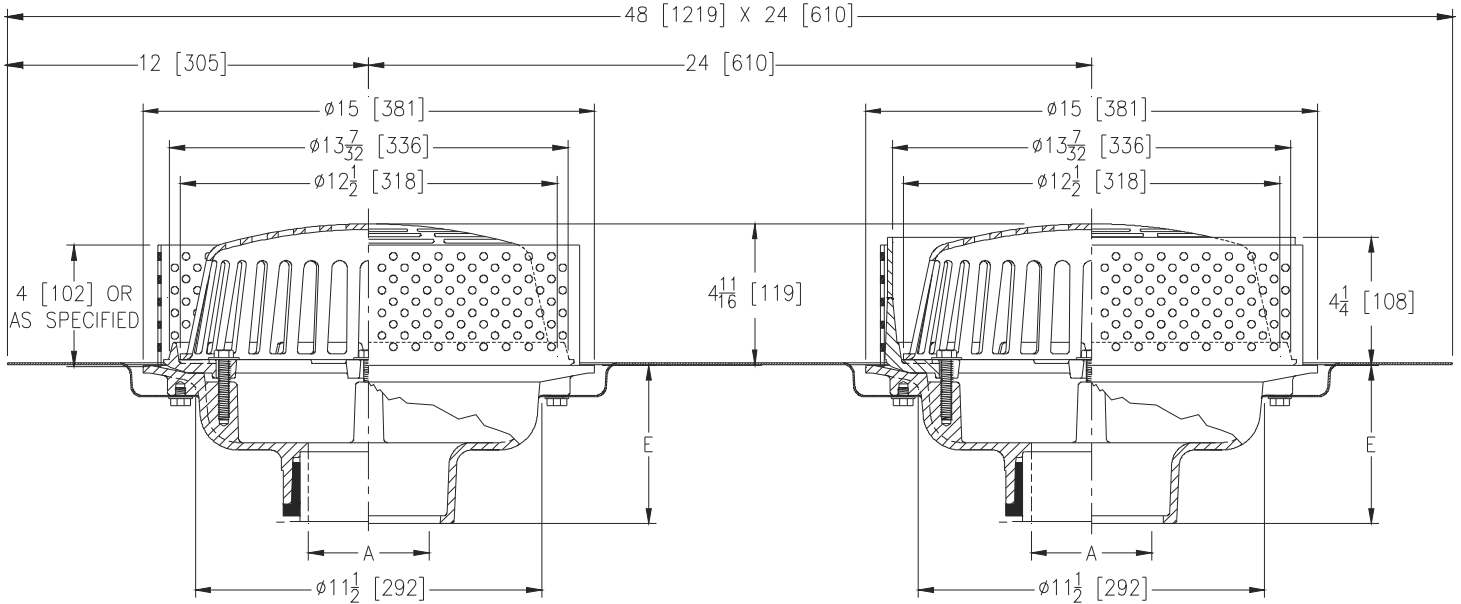


Z163-98

SPECIFICATION SHEET

15 [381] DIAMETER COMBINATION MAIN ROOF & OVERFLOW DRAIN
 W/ LOW SILHOUETTE ALUMINUM DOMES, DOUBLE TOP-SET® DECK
 PLATE, PERFORATED GRAVEL GUARD & 4 [102] EXTERNAL WATER DAM TAG _____

Dimensional Data (inches and [mm]) are Subject to Manufacturing Tolerances and Change Without Notice



| A Pipe Size In. [mm] | Approx. Wt. Lbs. [kg] | Dome Open Area Sq. In. [cm ²] |
|----------------------------|-----------------------------|--|
| 2,3,4 [51,76,102] | 73 [33] | 103 [665] |
| 6 [152] | 74 [34] | |
| 8 [203] | 75 [34] | |

ENGINEERING SPECIFICATION: ZURN Z163-98

15" [381mm] Diameter primary roof drain and overflow drain with 4" [102mm] external water dam, Dura-Coated cast iron bodies with combination membrane flashing clamp/gravel guards, double Top-Set® deck plate, perforated gravel guard and low silhouette aluminum domes.

OPTIONS (Check/specify appropriate options)

PIPE SIZE

3,4,6 [76,102,152]
 2,3,4,6,8 [51,76,102,152,203]
 2,3,4,6,8 [51,76,102,152,203]
 2,3,4 [51,76,102]

(Specify size/type) OUTLET

_____ IC Inside Caulk
 _____ IP Threaded
 _____ NH No-Hub
 _____ NL Neo-Loc

'E' BODY HT. DIM.

5-1/4 [133]
 3-3/4 [95]
 5-1/4 [133]
 4-5/8 [117]

PREFIXES

___ ZA D.C.C.I. Body with Aluminum Dome*

SUFFIXES

| | | | |
|---------|--|---------|--|
| ___ -AR | Acid Resistant Epoxy Coated Finish | ___ -SC | Secondary Clamping Collar |
| ___ -DE | Deck Extension | ___ -SS | Stainless Steel Mesh Screen Over Dome |
| ___ -DR | Top-Set® Drain Riser | ___ -TC | Neo-Loc Test Cap Gasket (2,3,4 [51,76,102] NL Bottom Outlet Only) |
| ___ -E | Static Extension 1 thru 4 [25 thru 102] (Specify Ht.) | ___ -VP | Vandal Proof Secured Top |
| ___ -EA | Adjustable Extension Assembly 2-1/8 thru 3-1/2 [54 thru 89] | ___ -XJ | Vertical Expansion Joint (See Z190) |
| ___ -G | Galvanized Cast Iron | ___ -85 | Stainless Steel Perforated Extension |
| ___ -GD | Galvanized Cast Iron Dome | | |
| ___ -HD | 6-3/4 [171] High Aluminum Dome Strainer (148 in ² [955 cm ²] Open Area)(ZA Only) | | |

* Regularly furnished unless otherwise specified.

Zurn Industries, LLC | Specification Drainage Operation
 1801 Pittsburgh Avenue, Erie, PA U.S.A. 16502 · Ph. 855-663-9876, Fax 814-454-7929
 In Canada | Zurn Industries Limited
 3544 Nashua Drive, Mississauga, Ontario L4V 1L2 · Ph. 905-405-8272, Fax 905-405-1292
www.zurn.com

Rev. -
 Date: 4/11/2018
 C.N. No. 139874
 Prod. | Dwg. No. Z163-98