



Z415H-77

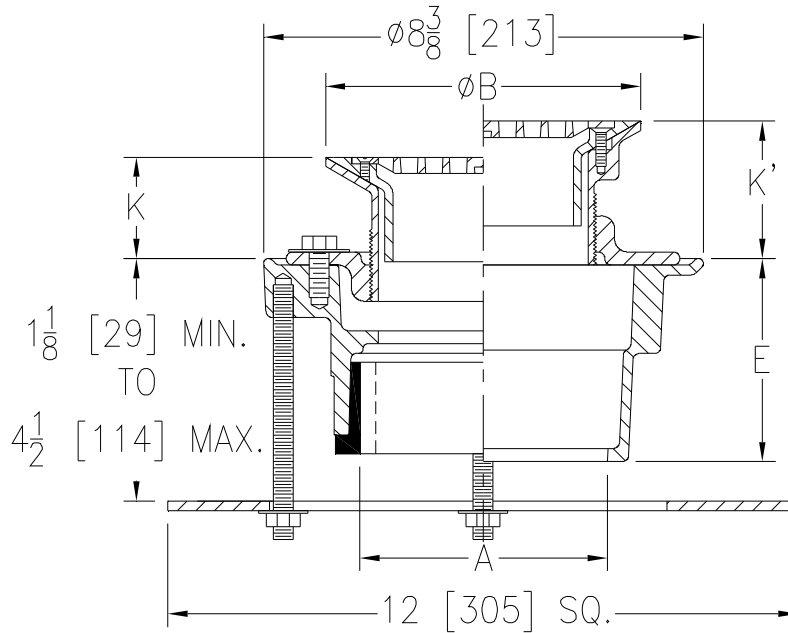
BODY ASSEMBLY

W/ "TYPE H" STRAINER AND UNDERDECK CLAMP

SPECIFICATION SHEET

TAG _____

Dimensional Data (inches and [mm]) are Subject to Manufacturing Tolerances and Change Without Notice



Dimensions In Inches						Approx. Wt. Lbs. [kg]	Strainer Open Area Sq. In. [cm ²]
A - Pipe Size	B - Top Size	K		K'			
		Min.	Max.	Min.	Max.		
2-3-4 [51-76-102]	6 [152]	1 3/8 [52]	2 3/8 [60]	1 3/4 [44]	2 7/8 [60]	13 [6]	7 [45]
	9 [229]					20 [9]	18 [116]

ENGINEERING SPECIFICATION: ZURN Z415H-77 Floor and shower drain, Dura-Coated cast iron body with bottom outlet, combination invertible membrane clamp, underdeck clamp, and "TYPE H" polished nickel bronze strainer with flashing clamp device.

OPTIONS (Check/specify appropriate options)

PIPE SIZE	(Specify size/type)	OUTLET	'E' BODY HT. DIM.
2 thru 4 [51 thru 102]	_____	IC Inside Caulk	3 7/8 [98]
2 [51]	_____	IP Threaded	2 3/8 [60]
3 [76]	_____	IP Threaded	2 5/8 [67]
4 [102]	_____	IP Threaded	2 7/8 [73]
2 thru 4 [51 thru 102]	_____	NH No-Hub	3 7/8 [98]
2 thru 4 [51 thru 102]	_____	NL Neo-Loc	3 3/4 [95]

PREFIXES

- _____ ZB D.C.C.I. Body Assembly w/ Polished Bronze Top
- _____ ZN D.C.C.I. Body Assembly w/ Polished Nickel Bronze Top*

SUFFIXES

- | | | |
|--|-----------|--|
| _____ -AR Acid Resisting Epoxy Coated Cast Iron | _____ -18 | Leveling Ring (See Z400-18) |
| _____ -G Galvanized Cast Iron | _____ -90 | 90° Threaded Side Outlet Body Assembly (2 [51], 3 [76] Only) |
| _____ -P Trap Primer Connection (Specify 1/2 [13] or 3/4 [19]) | | |
| _____ -U 1 - 3 [25 - 76] High Extension Adapter | | |
| _____ -V Backwater Valve | | |
| _____ -VP Vandal-Proof Secured Top | | |
| _____ -Y Sediment Bucket | | |

*REGULARLY FURNISHED UNLESS OTHERWISE SPECIFIED

REV.	DATE: 8/14/08	C.N. NO. 98241
DWG. NO. P-15530 PRODUCT NO. Z415H-77		