



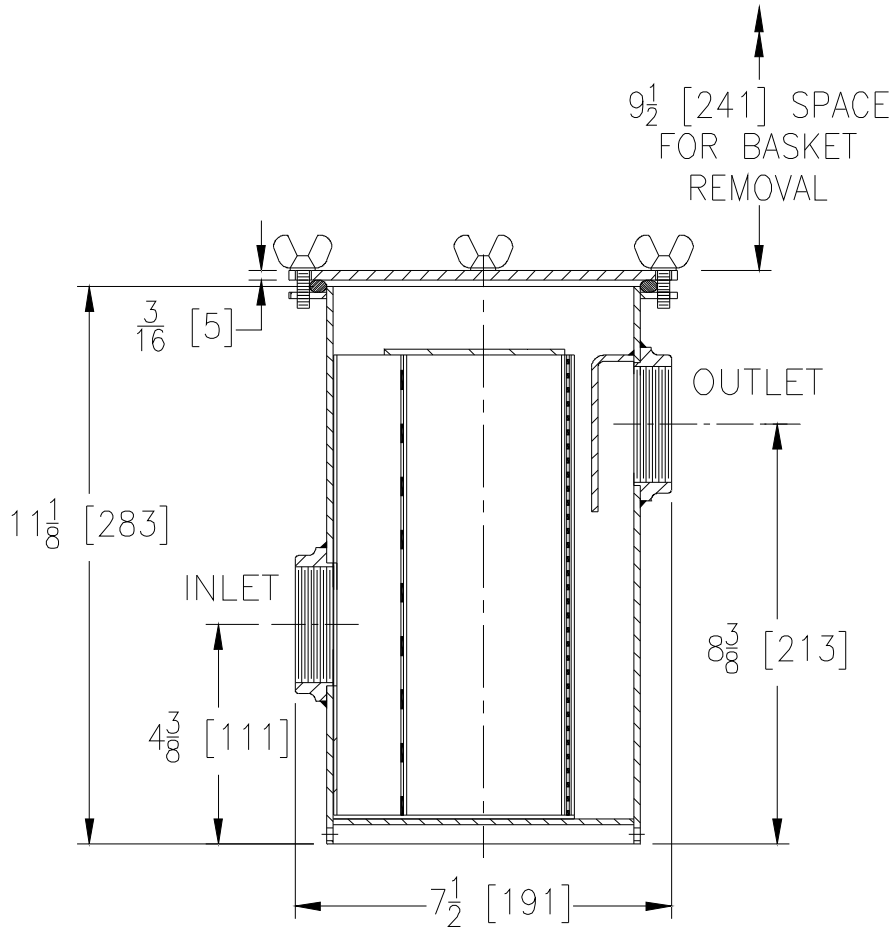
# ZA1180

## ACID RESISTANT COATED FABRICATED STEEL SOLIDS INTERCEPTOR

SPECIFICATION SHEET

TAG \_\_\_\_\_

Dimensional Data (inches and [ mm ]) are Subject to Manufacturing Tolerances and Change Without Notice



Inlet/Outlet Inches	Flow Rate GPM [L]	Approx. Wt. Lbs. [kg]
1 1/2, 2** [38, 51]	15 [57]	10 [4]

**ENGINEERING SPECIFICATION: ZURN ZA1180**

Acid Resistant Coated interior and exterior steel interceptor, in lieu of fixture 'P' trap, for on-floor installation with removable primary and secondary flow diffusing/intercepting screens, and sediment bucket, with top access gasketed cover. Regularly furnished with 2 [50] low inlet and high outlet.\*\* Mesh size is 1/8 [3].

**OPTIONS** (Check/specify appropriate options)

**PREFIXES**

\_\_\_ ZA Acid Resistant Coated Fabricated Steel\*

**SUFFIXES**

\_\_\_ -SS Stainless Mesh Screen for Basket

\_\_\_ -YR Replacement Basket Assembly

REV. A	DATE: 7/19/10	C.N. NO. 111399
DWG. NO. 63935	PRODUCT NO. ZA1180	

\*REGULARLY FURNISHED UNLESS OTHERWISE SPECIFIED