

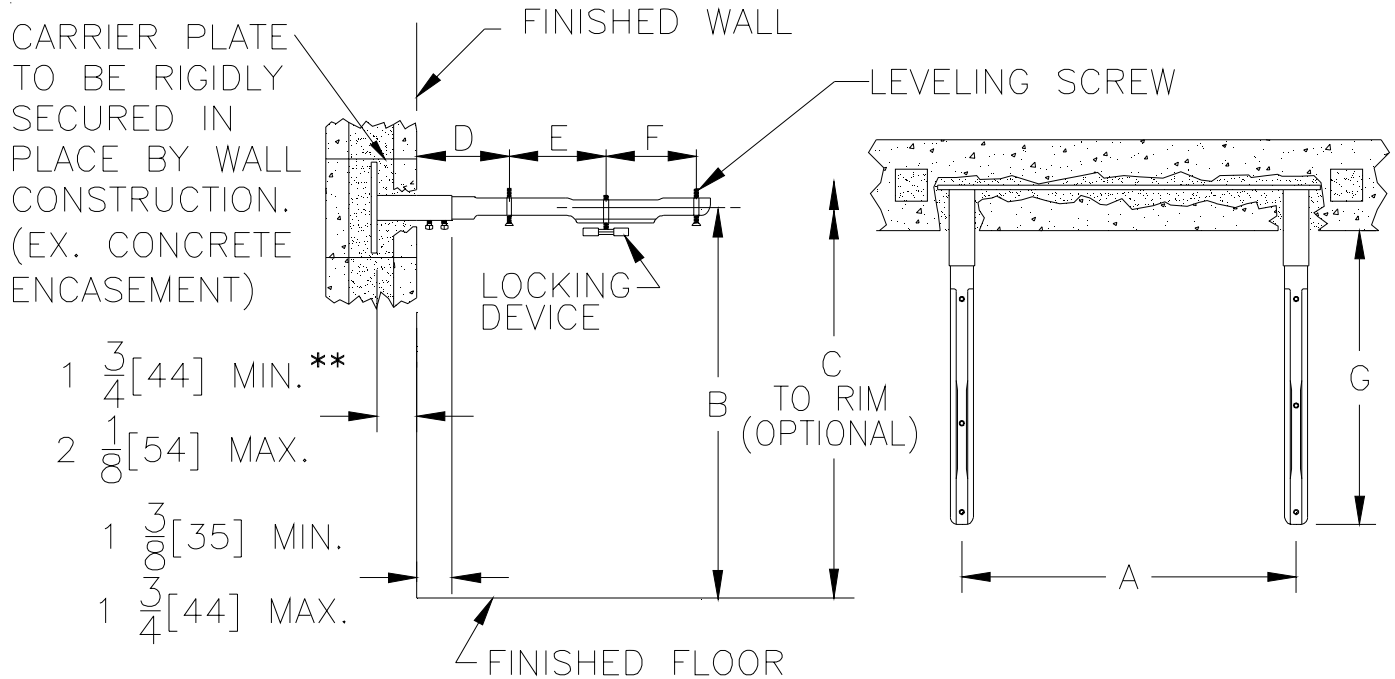


Z1251-81 CONCEALED ARM SYSTEM WALL SUPPORTED

SPECIFICATION SHEET

TAG _____

Dimensional Data (inches and [mm]) are Subject to Manufacturing Tolerances and Change Without Notice



** WITH STANDARD SLEEVE LENGTH OF 3 1/2 [89]

Product No.	Approx. Wt. Lbs. [kg]
Z1251	18 [8]

ENGINEERING SPECIFICATION: ZURN Z1251-81 Lavatory support system with concealed arms. Complete with Dura-Coated support plates with integral steel sleeves, concealed arms, and mounting fasteners.

OPTIONS (Check/specify appropriate options)

PREFIXES

___ Z Dura-Coated System with Concealed Arms*

SUFFIXES

- ___ -E2 Concealed Arm Escutcheons 2 [51] Long
- ___ -E4 Concealed Arm Escutcheons 4 [102] Long
- ___ -E6 Concealed Arm Escutcheons 6 [152] Long
- ___ -SL Sleeve Length Over 3 1/2 [89] (Specify Length)
- ___ -W6 6 [152] Wide Support Plate
- ___ -79 Paraplegic Rough-in

*REGULARLY FURNISHED UNLESS OTHERWISE SPECIFIED

REV.	DATE: 02/16/10	C.N. NO. 110693
DWG. NO. P-15844	PRODUCT NO. Z1251-81	