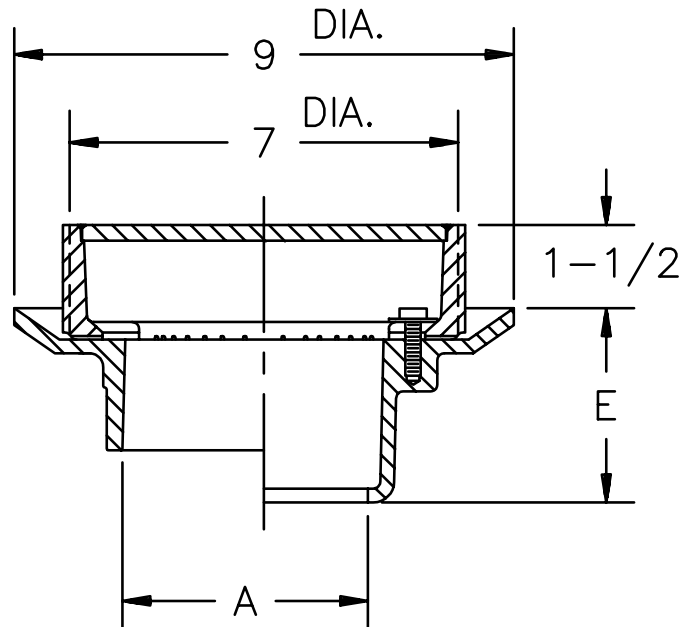




Z-507-77 7" MEDIUM DUTY DRAIN

TAG _____

Dimensional Data (inches and [mm]) are Subject to Manufacturing Tolerances and Change Without Notice



A- Pipe Size In.	Approx. Wt. Lbs
2-3	15

ENGINEERING SPECIFICATION: ZURN Z-507-77 7" Diameter top drain, Dura-Coated cast iron body with bottom outlet, seepage pan and combination membrane flashing clamp and frame with solid cover.

OPTIONS (Check/specify appropriate options)

OUTLET (Specify type)

- _____ **IC** Inside Caulk
- _____ **IC** Inside Caulk w/Sealtrol Gskt.
- _____ **IP** Threaded
- _____ **NL** Neo-Loc

PIPE SIZE (Specify size)

- _____ 2",3"
- _____ 2",3"
- _____ 2",3"
- _____ 2",3"

'E' BODY HT. DIMENSION

- 3-1/2"
- 3-1/2"
- 3-1/4"
- 2-5/8"

PREFIXES

- _____ **Z-** D.C.C.I. Body and Cover*

SUFFIXES

- _____ **-AR** Acid Resisting Epoxy Coated Finish
- _____ **-F** 2" Extension Frame
- _____ **-G** Galvanized Cast Iron
- _____ **-P** Trap Primer Connection
- _____ **-S** Secondary Strainer
- _____ **-VP** Vandal Proof Secured Top
- _____ **-Y** Sediment Bucket

*REGULARLY FURNISHED UNLESS OTHERWISE SPECIFIED

REV.	DATE: 1/17/92	C.N. NO. 68034
DWG. NO. P-13664 PRODUCT NO. Z-507-77		