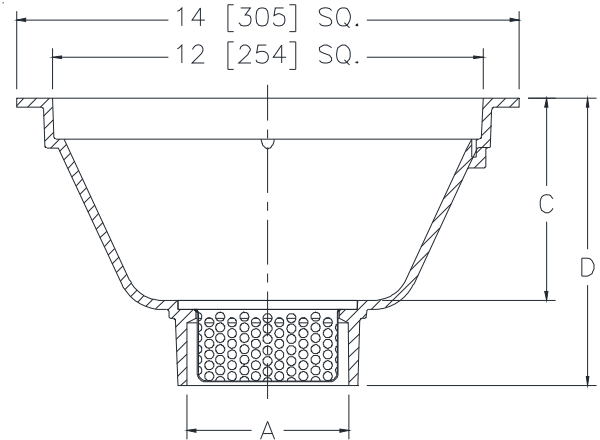


Dimensional Data (inches and [ mm ]) are Subject to Manufacturing Tolerances and Change Without Notice



**FD2370-Y PVC Floor Sink**

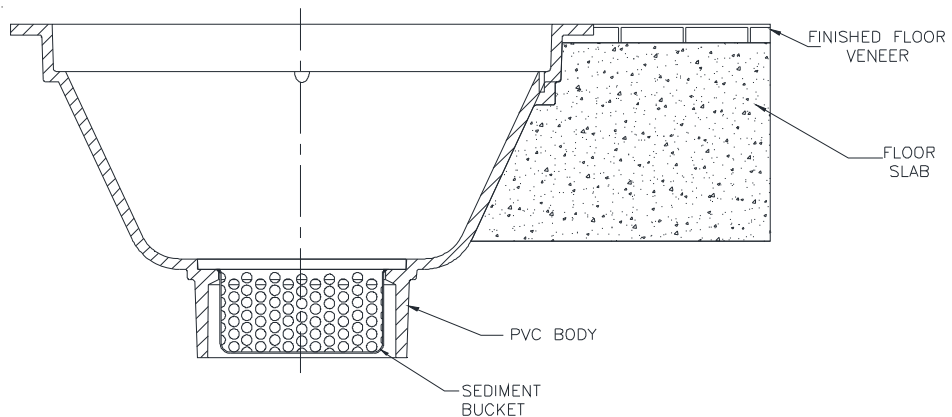
Recommended for sanitary installations. The radiused body is constructed of PVC with Sediment Bucket. Manufactured according to ASME A112.6.7-01

Product	"A" Connections	"C"	"D"
___ FD2370-PV2-Y	2 [51] PVC Hub	5-5/8 [143]	7 [178]
___ FD2370-PV3-Y	3 [76] PVC Hub	5-5/8 [143]	7-3/4 [197]
___ FD2370-PV4-Y	4 [102] PVC Hub	5-5/8 [143]	8 [203]

**Options:**

- \_\_\_ -F Full Grate
- \_\_\_ -H 1/2 Grate
- \_\_\_ -T 3/4 Grate
- \_\_\_ -P 1/2 NPT Trap Primer Connection

**Typical Installation**



\* Regularly furnished unless otherwise specified.