



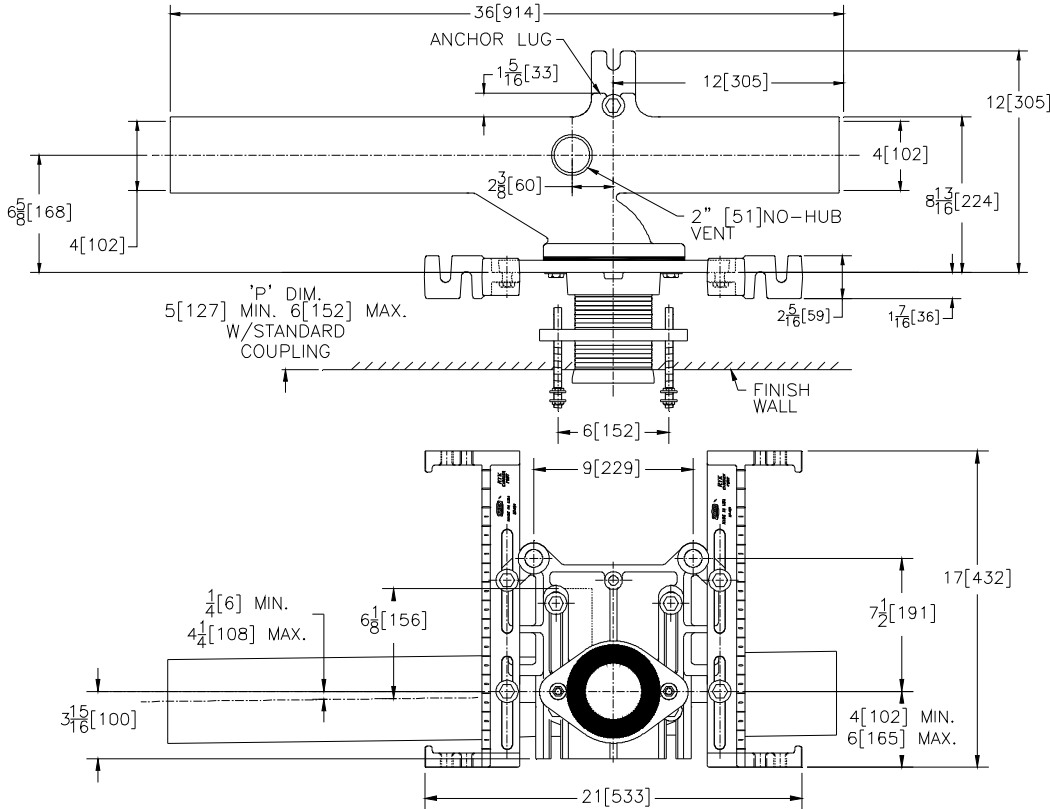
# ZE1203-138

ADJUSTABLE HORIZONTAL SIPHON JET NO-HUB W/  
ELONGATED FITTING, MODIFIED FACE PLATE FOR  
4 [102] MOD. ROUGH, & FLOOR MOUNTED BACK OUTLET

SPECIFICATION SHEET

TAG \_\_\_\_\_

Dimensional Data (inches and [ mm ]) are Subject to Manufacturing Tolerances and Change Without Notice



Product Number	Approx. Wt. Lbs. [kg]
ZE1203-NL4-138	67 [30]
ZE1203-NR4-138	

**Note:**

1. Min. 'P' Dim. Obtainable=2 [51]
2. Feet bolted to floor using min. 1/2 [13] dia. bolts and back slots on carrier feet.
3. Back anchor foot required for secure installation.

**ENGINEERING SPECIFICATION: ZURN ZE1203-138**

Adjustable, horizontal siphon jet water closet "Rigid System" with 4" [102mm] No-Hub connections. Complete with Dura-Coated cast iron right hand or left hand main fitting, with 2" [51mm] vent, modified adjustable gasketed face plate, RYK-Unistrut Pre-fab foot supports, corrosion resistant adjustable ABS coupling with integral test cap, fixture bolts, trim, and stud protectors. Rear anchor tie down and bonded "Neo-Seal" gasket.

**OPTIONS (Check/specify appropriate options)**

- \_\_\_\_\_ ZE1203-NR4-138      4 [102] No-Hub Right Hand Inlet with Flow to Left
- \_\_\_\_\_ ZE1203-NL4-138      4 [102] No-Hub Left Hand Inlet with Flow to Right

**PREFIXES**

- \_\_\_\_\_ Z      D.C.C.I. System with Zurn "ZZ" Adjustable Coupling\*
- \_\_\_\_\_ ZQ      D.C.C.I. System with Non-Adjustable Coupling

**SUFFIXES**

- \_\_\_\_\_ -BC      Back Cleanout
- \_\_\_\_\_ -CC      Corrosion Resistant 6 [152] Long Cast Iron Coupling
- \_\_\_\_\_ -CL      Coupling Length Greater Than Standard (Length Must be Specified)
- \_\_\_\_\_ -G      Galvanized Cast Iron
- \_\_\_\_\_ -M      Auxiliary Foot Support for 'P' Dim. 10 [254] Thru 18 [457]
- \_\_\_\_\_ -T      Threaded Stack Connection
- \_\_\_\_\_ -VP      Vandal Proof Trim
- \_\_\_\_\_ -29      Mechanical Test Cap Assembly
- \_\_\_\_\_ -45      Finishing Frame for Siphon Jet Closet
- \_\_\_\_\_ -50      Flush Valve Supply Support for Water Closets
- \_\_\_\_\_ -61      Adjusting Wrench for "ZZ" Coupling

\* Regularly furnished unless otherwise specified.