



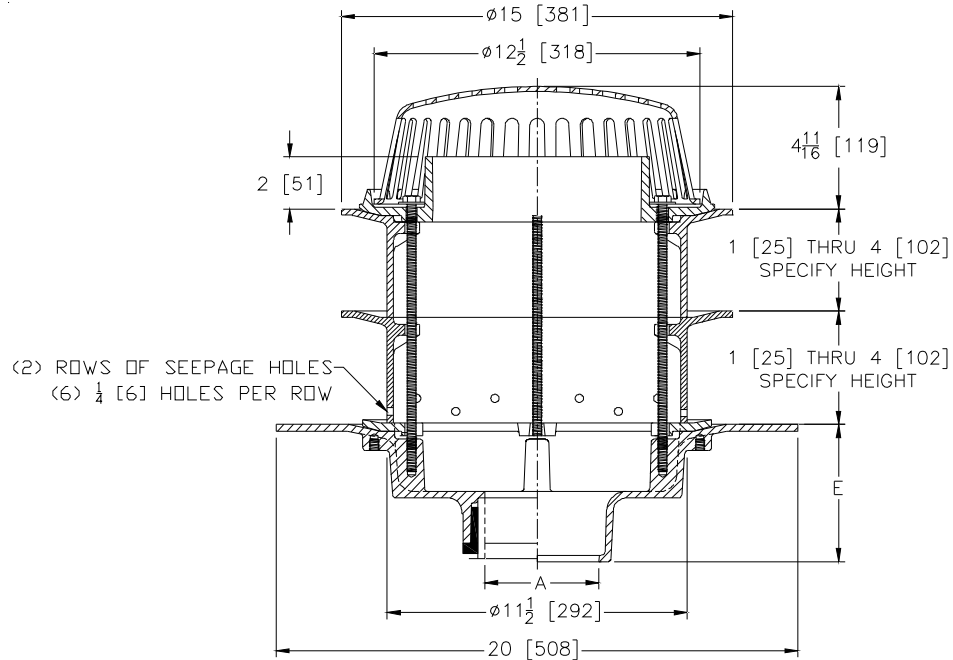
Z100-E-DX-SC-W2

20 [508] DIAMETER MAIN ROOF DRAIN W/ STATIC EXTENSIONS, SECONDARY CLAMP COLLAR, AND 2 [51] INTERNAL WATER DAM

SPECIFICATION SHEET

TAG _____

Dimensional Data (inches and [mm]) are Subject to Manufacturing Tolerances and Change Without Notice



A Pipe Size in [mm]	Approx Wt. lbs [kg]	Dome Open Area in ² [cm ²]
2,3,4 [51,76,102]	61 [28]	103 [665]
6 [152]	60 [27]	
8 [203]	63 [29]	

ENGINEERING SPECIFICATION: ZURN Z100-E-DX-SC-W2

20" [508mm] Diameter roof drain. Dura-Coated cast iron body with combination membrane flashing clamp/gravel guard, with 2" [51mm] internal water dam, clamping collar, static extension with seepage holes, secondary clamping collar and low silhouette Poly-Dome strainer.

OPTIONS (Check/specify appropriate options)

PIPE SIZE

3,4,6 [76,102,152]
 2,3,4,6,8 [51,76,102,152,203]
 2,3,4,6,8 [51,76,102,152,203]
 2,3,4 [51,76,102]
 6 [152]

(Specify size/type) OUTLET

_____ IC Inside Caulk
 _____ IP Threaded
 _____ NH No-Hub
 _____ NL Neo-Loc
 _____ NL Neo-Loc

'E' BODY HT. DIM.

5-1/4 [133]
 3-3/4 [95]
 5-1/4 [133]
 4-5/8 [117]
 5-7/16 [138]

PREFIXES

___ Z D.C.C.I. Body with Poly-Dome*
 ___ ZA D.C.C.I. Body with Aluminum Dome

___ ZC D.C.C.I. Body with Cast Iron Dome
 ___ ZRB D.C.C.I. Body with Plain Bronze Dome

SUFFIXES

___ -AC Angular Underdeck Clamp
 ___ -AR Acid Resistant Epoxy Coated
 ___ -C Underdeck Clamp
 ___ -DE Deck Extension (Includes Deck Plate -DP)
 ___ -DP Top-Set® Roof Deck Plate
 (Replaces both -C and -R)
 ___ -DR Top-Set® Drain Riser
 ___ -EA Adjustable Extension Assembly
 2-1/8 [54] thru 3-1/2 [89]
 ___ -EB Top-Set® Adjustable Extension Assembly

___ -G Galvanized Cast Iron
 ___ -HD 6-3/4 [171] High Aluminum Dome
 (148 sq. in. [955 cm²] open area)
 ___ -R Roof Sump Receiver
 ___ -SS Stainless Mesh Screen Over Dome
 ___ -ST Dome w/ Solid Top (ZA and ZC Only)
 ___ -TC Neo-Loc Test Cap Gasket
 (2,3,4 [51,76,102] NL Bottom Outlet Only)
 ___ -VP Vandal Proof Secured Top
 ___ -84 Stainless Steel Perforated Gravel Guard
 ___ -90 90° Threaded Side Outlet Body

* Regularly furnished unless otherwise specified.

Zurn Industries, LLC | Specification Drainage Operation
 1801 Pittsburgh Avenue, Erie, PA U.S.A. 16502 · Ph. 855-663-9876, Fax 814-454-7929
 In Canada | Zurn Industries Limited
 3544 Nashua Drive, Mississauga, Ontario L4V 1L2 · Ph. 905-405-8272, Fax 905-405-1292
www.zurn.com

Rev. -
 Date: 6/14/2018
 C.N. No. 140163
 Prod. | Dwg. No. Z100-E-DX-SC-W2