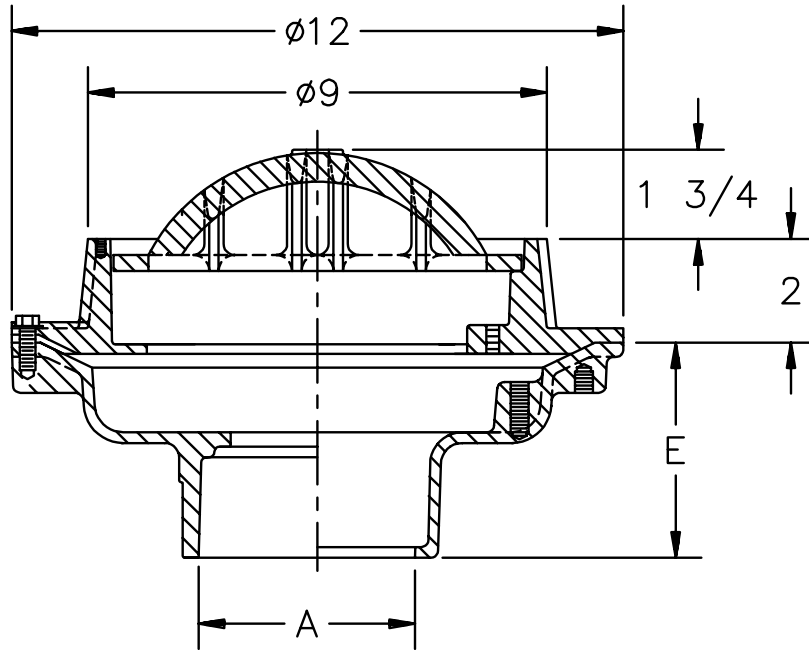




Z-550-84
9" DIAMETER MEDIUM
DUTY DRAIN

TAG _____

Dimensional Data (inches and [mm]) are Subject to Manufacturing Tolerances and Change Without Notice



A- Pipe Size In.	Approx. Wt. Lbs.	Dome Open Area Sq. In.
2-3-4	16	27

ENGINEERING SPECIFICATION: ZURN Z-550-84 9" Diameter top drain, Dura-Coated cast iron body with bottom outlet, seepage pan and wide slotted dome grate, and combination membrane flashing clamp and frame.

OPTIONS (Check/specify appropriate options)

OUTLET (Specify type)

- _____ **IC** Inside Caulk
- _____ **IG** Inside Caulk w/Sealtrol Gskt.
- _____ **IP** Threaded
- _____ **NH** No-Hub
- _____ **NL** Neo-Loc

PIPE SIZE (Specify size)

- _____ 2",3",4"
- _____ 2",3",4"
- _____ 2",3",4"
- _____ 2",3",4"
- _____ 2",3",4"

**'E' BODY HT.
DIMENSION**

- _____ 3-3/4"
- _____ 3-3/4"
- _____ 2-3/4"
- _____ 4-3/4"
- _____ 3-1/2"

PREFIXES

- _____ **Z-** D.C.C.I. Body and Dome Grate*
- _____ **ZB-** D.C.C.I. Body with Polished Bronze Dome Grate (Add 3/16" to 2" Dim.)
- _____ **ZN-** D.C.C.I. Body with Polished Nickel Bronze Dome Grate (Add 3/16" to 2" Dim.)

SUFFIXES

- _____ **-AR** Acid Resisting Epoxy Coated Interior
- _____ **-G** Galvanized Cast Iron
- _____ **-P** Trap Primer Connection
- _____ **-S** Secondary Strainer
- _____ **-SS** Stainless Mesh Liner for Bucket
- _____ **-V** Backwater Valve (See Z-1099)
- _____ **-VP** Vandal Proof Secured Top
- _____ **-Y** Sediment Bucket
- _____ **-90** 90° Threaded Side Outlet Body (2" thru 4")

REV.	DATE: 10/14/92	C.N. NO. 68623
DWG. NO. P-13761 PRODUCT NO. Z-550-84		

*REGULARLY FURNISHED UNLESS OTHERWISE SPECIFIED