



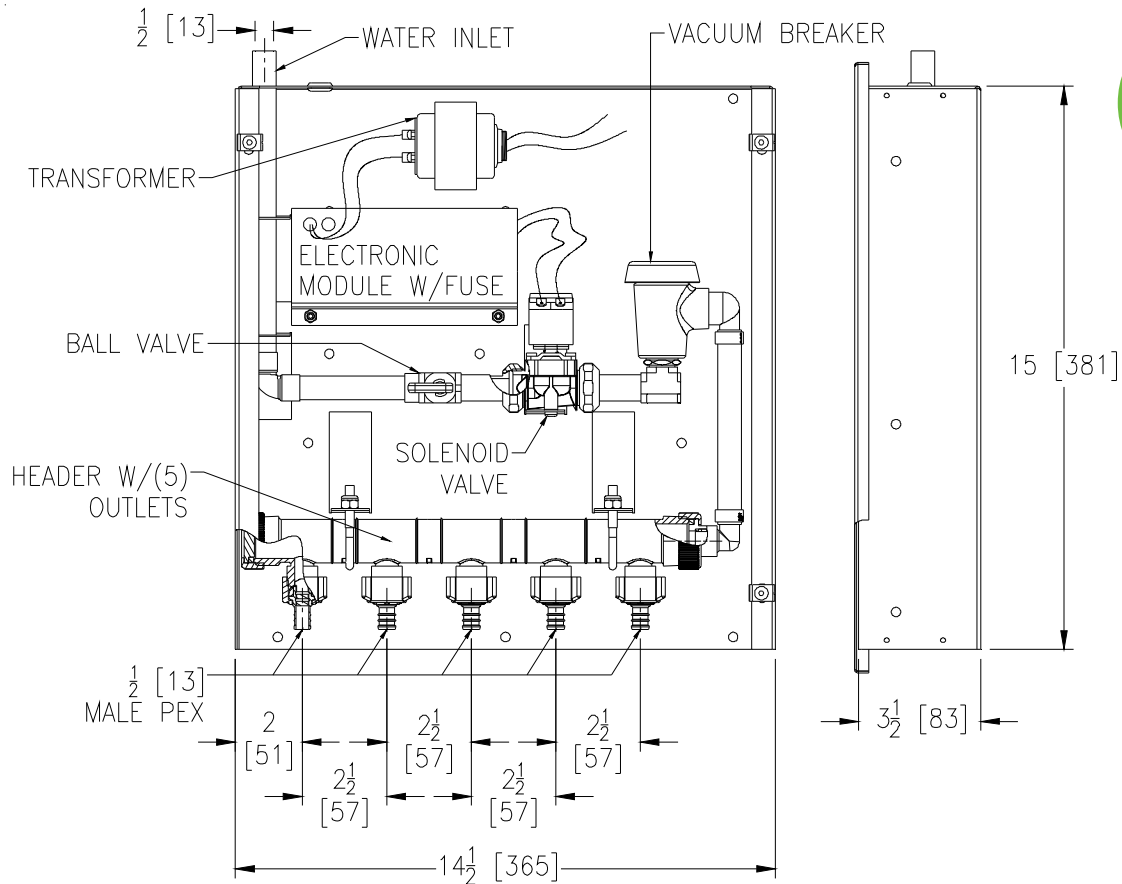
Z1020XL-89

ELECTRONIC TRAP PRIMER WITH MOUNTED TRANSFORMER

SPECIFICATION SHEET

TAG _____

Dimensional Data (inches and [mm]) are Subject to Manufacturing Tolerances and Change Without Notice



Approx. Wt. Lbs. [kg]
12 [5]

ENGINEERING SPECIFICATION: ZURN Z1020XL

Factory programmed, 5-port, lead-free electronic trap primer providing a six second water injection to traps every twenty-four hours*. Trap primer features a galvanized steel combination surface or recessed housing and cover, 1/2" [13mm] solder copper inlet connection, brass ball-type stop valve, slow closing 24 VAC solenoid valve with integral strainer, mounted 120 - 24 VAC transformer, brass atmospheric vacuum breaker, PEX waterway, and anti-scaling multi-port manifold with five 1/2" [13mm] Male PEX outlet connections.

Zurn "XL" Lead-Free compliant products are a line of durable plumbing products designed and manufactured to comply with state laws and local codes that mandate maximum allowable lead content levels. Zurn "XL" products are manufactured in accordance to the Federal SWDA section 1417.

OPTIONS (Check/specify appropriate options)

SUFFIXES

- ___ -CW Copper Waterway (with 1/2 [13] Female I.P.S. Connection)
- ___ -DU4 Additional Distribution Units with Copper Waterway (Specify Quantity) (Contact Zurn for Sizing Specifications)
- ___ -VP Vandal-Proof Secured Cover with Vandal-Proof Driver
- ___ -10 Ten Outlets

- Min. Pressure: 3 psi
- Working Pressure: 20 to 100 psig
- Default Settings:
 - Frequency: 24 hours
 - Injection Time: 6 seconds.
 - Volume: 2 oz. min. per port

* Regularly furnished unless otherwise specified. Alternate flow settings available upon request.