



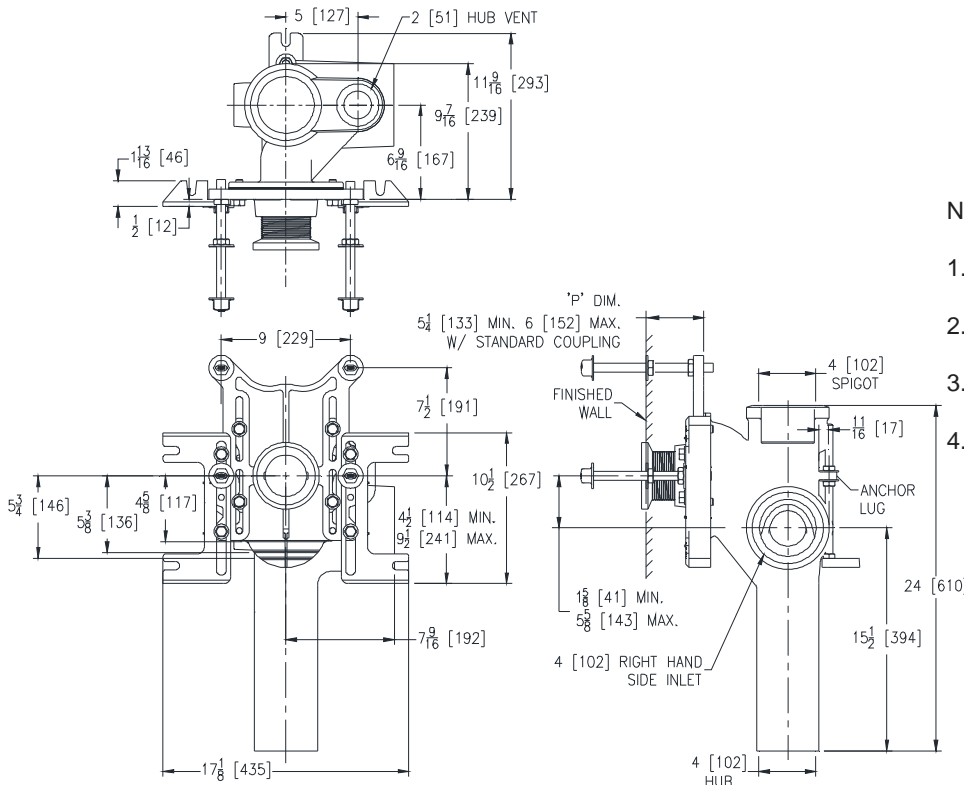
Z1202-1H_4

EZCARRY™ ADJUSTABLE VERTICAL HIGH PERFORMANCE SIPHON JET HUB AND SPIGOT WATER CLOSET CARRIER SYSTEM W/ SIDE INLET

SPECIFICATION SHEET

TAG _____

Dimensional Data (inches and [mm]) are Subject to Manufacturing Tolerances and Change Without Notice



Product Number	Approx. Wt. lbs [kg]
Z1202-1HL4	80 [36]
Z1202-1HR4	80 [36]

Note:

1. Z coupling, Min. 'P' Dim. Obtainable=2 [51]
ZQ coupling, Min. 'P' Dim Obtainable=5 [127]
2. Feet bolted to floor using min. 1/2 [13] dia. anchors.
3. Rear anchor foot required for secure installation.
4. 2 [51] Hub Vent located on same side as 4 [102] side inlet.

Z1202-1HR4 Illustrated

ENGINEERING SPECIFICATION: ZURN Z1201H_4

EZCarry™ vertical siphon jet water closet carrier system with high performance waterway and 4" [102mm] hub and spigot connections. System includes Dura-Coated cast iron main fitting with hydro-mechanically optimized sweep and extended 2" [51mm] vent, 4" [102mm] side inlet, adjustable gasketed faceplate, universal floor mounted pre-fab slotted foot supports, heavy-duty 1/2" [13mm] rear anchor tie down, fixture bolts, trim, stud protectors, bonded "Neo-Seal" gasket, and corrosion resistant, adjustable 3" [76mm] dia. X 6" [152mm] coupling with integral test cap designed to increase flow velocity and line carry. EZCarry system complies with the requirements of ASME A112.6.1M up to a 500 lbs [227 kg] static load rating.

OPTIONS (Check/specify appropriate options)

- ___ Z1202-1HL4 4 [102] Hub and Spigot Stack, Single Inlet, 4 [102] Left Hand Side Inlet, 2 [51] Left Hand Vent.
- ___ Z1202-1HR4 4 [102] Hub and Spigot Stack, Single Inlet, 4 [102] Right Hand Side Inlet, 2 [51] Right Hand Vent.

PREFIXES

- ___ Z D.C.C.I. System with Zurn ZZ Adjustable Coupling*
- ___ ZQ D.C.C.I. System with NPT Faceplate, Non-Adjustable Coupling

SUFFIXES

- ___ -A Auxiliary Support Assembly (For 'P' Dim. Greater than 18 [457])
- ___ -CC Corrosion Resistant Cast Iron Coupling (2-1/4 [57] to 12 [305])
- ___ -CE EZ-Set™ Coupling (Available 6 [152], 12 [305] or longer when specified. Minimum length=5 [127])
- ___ -CL Custom Length Standard Coupling with Integral Test Cap (Specify Length 4, 8, 10, 12 [102, 203, 254, 305])
- ___ -CS 2-1/4 [57] Polymer Coupling with Integral Test Cap
- ___ -F Floor Mounted, Back Outlet Fixture Support
- ___ -G Galvanized Cast Iron
- ___ -JL 2 [51] Left-Hand Auxiliary Inlet (For 1HR4 Only)
- ___ -JR 2 [51] Right-Hand Auxiliary Inlet (For 1HR4 Only)
- ___ -M Auxiliary Foot Support (for 'P' Dim. 10 thru 18 [254 thru 457])
- ___ -RYK Unistrut Pre-Fab Foot Support
- ___ -RYK17 One Piece Unistrut Pre-Fab Foot
- ___ -VL Left Hand Vent Connection (For 1HR4 Only)
- ___ -VP Vandal-Proof Trim
- ___ -45 Finishing Frame for Siphon Jet System
- ___ -50 Flush Valve Supply Support for Water Closets

* Regularly furnished unless otherwise specified.