



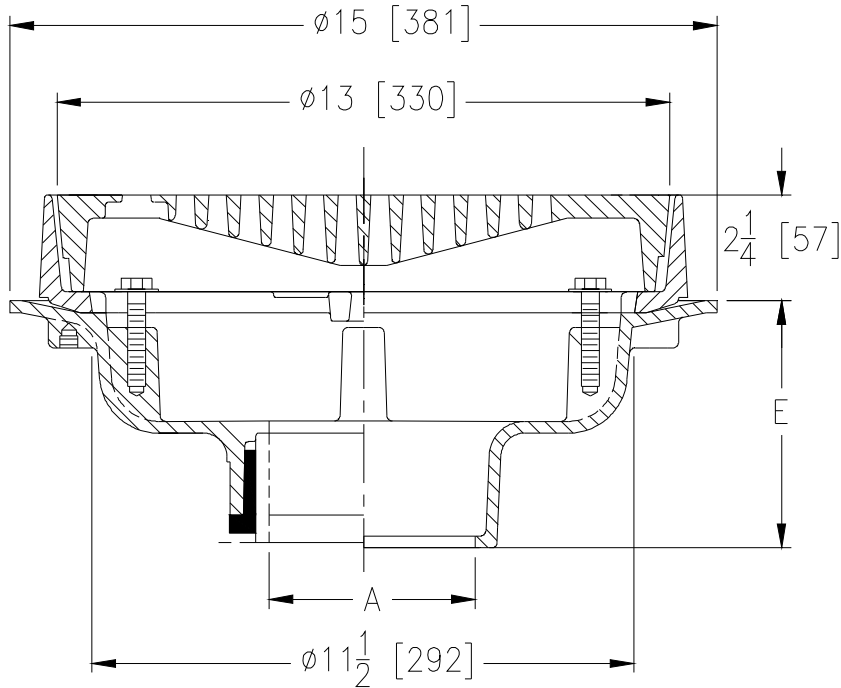
Z100-FG-89

15 [381] DIAMETER MAIN ROOF DRAIN W/
EXTERNAL WATER DAM & FLUSH GRATE

SPECIFICATION SHEET

TAG _____

Dimensional Data (inches and [mm]) are Subject to Manufacturing Tolerances and Change Without Notice



A- Pipe Size In. [mm]	Approx. Wt. Lbs. [kg]	Grate Open Area Sq. In. [cm ²]
2, 3, 4 [51, 76, 102]	45 [20]	32 [206]
6 [152]	46 [21]	
8 [203]	47 [21]	

ENGINEERING SPECIFICATION: ZURN Z100-FG-89

15" [381mm] Diameter roof drain. Dura-Coated cast iron body with 2" [51mm] high combination membrane flashing clamp/gravel guard, and flush cast iron grate.

OPTIONS (Check/specify appropriate options)

PIPE SIZE

- 3, 4, 6 [76, 102, 152]
- 2, 3, 4, 6, 8 [51, 76, 102, 152, 203]
- 2, 3, 4, 6, 8 [51, 76, 102, 152, 203]
- 2, 3, 4 [51, 76, 102]
- 6 [152]

(Specify size/type) **OUTLET**

- _____ IC Inside Caulk
- _____ IP Threaded
- _____ NH No-Hub
- _____ NL Neo-Loc
- _____ NL Neo-Loc

E BODY HT. DIM.

- 5-1/4 [133]
- 3-3/4 [95]
- 5-1/4 [133]
- 4-9/16 [116]
- 5-7/16 [138]

PREFIXES

- _____ Z D.C.C.I. Body and Grate*

SUFFIXES

- | | |
|---|--|
| _____ -AC Angular Underdeck Clamp | _____ -EB Top-Set® Adjustable Extension Assembly |
| _____ -AR Acid Resistant Epoxy Coated | _____ -G Galvanized Cast Iron |
| _____ -C Underdeck Clamp | _____ -R Roof Sump Receiver |
| _____ -DE Deck Extension (Includes Deck Plate -DP) | _____ -TC Neo-Loc Test Cap Gasket |
| _____ -DP Top-Set® Deck Plate | (2, 3, 4 [51, 76, 102] NL Bottom Outlet Only) |
| (Replaces both the -C and -R) | _____ -VP Vandal Proof Secured Top |
| _____ -DR Top-Set® Drain Riser | _____ -90 90° Threaded Side Outlet Body |
| _____ -E Static Extension 1 [25] thru 4 [102] (Specify Ht.) | |
| _____ -EA Adjustable Extension Assembly | |
| 2-1/8 [54] thru 3-1/2 [89] | |

* Regularly furnished unless otherwise specified.