



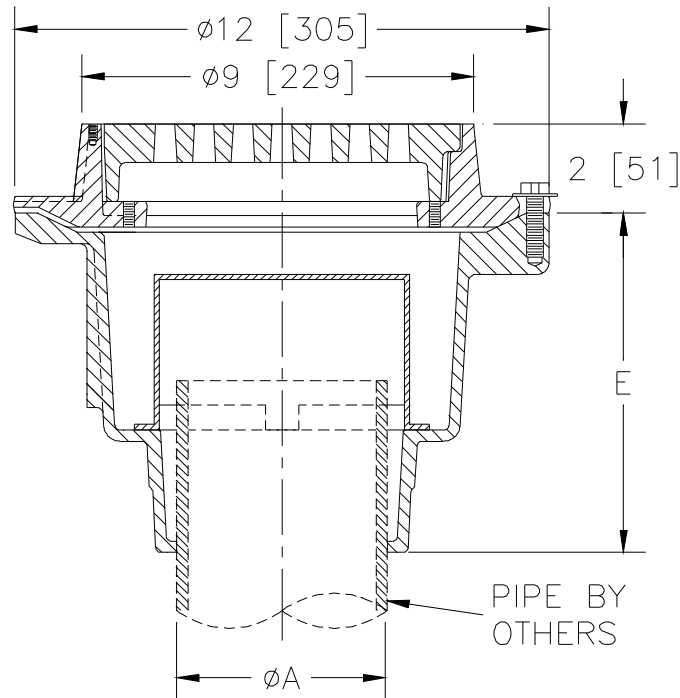
Z511-BT

9 [229] HEAVY DUTY DRAIN W/ BELL TRAP

SPECIFICATION SHEET

TAG _____

Dimensional Data (inches and [mm]) are Subject to Manufacturing Tolerances and Change Without Notice



A Pipe Size In [mm]	Approx. Wt. Lbs. [kg]	Grate Open Area Sq. In. [cm ²]
3,4 [76,102]	40 [18]	18 [116]

ENGINEERING SPECIFICATION: ZURN Z511-BT

9" [229mm] Diameter top drain, Dura-Coated cast iron deep sump body with bottom outlet, seepage pan, bell trap and combination membrane flashing clamp and frame for heavy duty cast iron deep flange grate.

OPTIONS (Check/specify appropriate options)

PIPE SIZE

3,4 [76,102]

(Specify size/type) **OUTLET**

___ IC Inside Caulk

'E' BODY HT. DIM.

7-5/8 [194]

PREFIXES

- ___ Z D.C.C.I. Body and Grate*
- ___ ZB D.C.C.I. Body w/Polished Bronze Top (Add 3/16 [5] to 2 [51] Dim. and 3/4 [19] to 9 [229] Dim.)
- ___ ZN D.C.C.I. Body w/Polished Nickel Bronze Top (Add 3/16 [5] to 2 [51] Dim. and 3/4 [19] to 9 [229] Dim.)

SUFFIXES

- ___ -AR Acid Resisting Epoxy Coated Cast Iron
- ___ -DG Duresist Grate
- ___ -F 2 [51] Extension Frame
- ___ -G Galvanized Cast Iron
- ___ -HP Heel-Proof Grate
- ___ -J Auxiliary Inlet Connection
(Specify 1-1/2 [38] or 2 [51], Number & Location)
- ___ -P Trap Primer Connection
- ___ -SC Solid Cover
- ___ -SG Solid Gasketed Cover
- ___ -TS Top Secured with Slotted Screws
- ___ -VP Vandal Proof Secured Top

* Regularly furnished unless otherwise specified.