



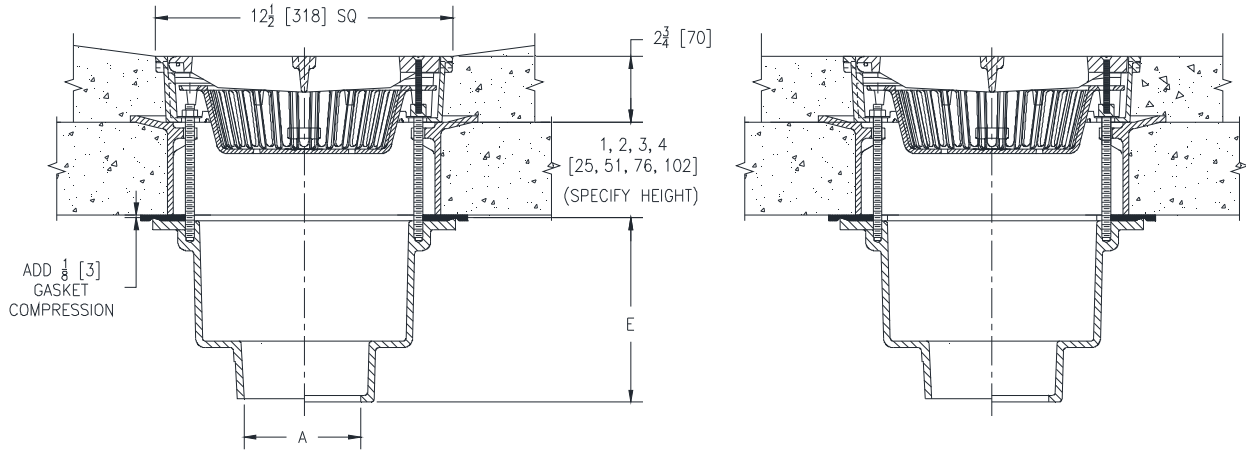
Z662-96

12-1/2 [318] SQ. EXTRA HEAVY DUTY DRAIN FOR
 PRECAST CONCRETE PARKING DECK SYSTEM
 WITH STATIC EXTENSION

SPECIFICATION SHEET

TAG _____

Dimensional Data (inches and [mm]) are Subject to Manufacturing Tolerances and Change Without Notice



A- Pipe Size In. [mm]	Approx. Wt. Lbs. [kg]	Grate Open Area Sq. In. [cm ²]
3,4 [76,102]	84 [38]	42 [271]
5,6 [127,152]	90 [41]	

ENGINEERING SPECIFICATION: Z662-96

12-1/2" [318mm] Square Top drain, Dura-Coated cast iron body with bottom outlet, seepage pan and combination membrane flashing clamp and frame, static extension with gasket seal, for ductile iron hinged extra heavy duty slotted vandal proof secured grate with suspended polypropylene sediment bucket.

OPTIONS (Check/specify appropriate options)

PIPE SIZE

- 3,4,5,6 [76,102,127,152]
- 3,4,6 [76,102,152]
- 3 [76]
- 4,5,6 [102,127,152]
- 3,4,5,6 [76,102,127,152]
- 3,4 [76,102]

(Specify size/type) OUTLET

- ___ IC Inside Caulk
- ___ IG Inside Caulk w/Sealtrol Gskt.
- ___ IP Threaded
- ___ IP Threaded
- ___ NH No-Hub
- ___ NL Neo-Loc

'E' BODY HT. DIM.

- 7-3/4 [197]
- 7-3/4 [197]
- 6-1/16 [154]
- 6-5/16 [160]
- 7-13/16 [198]
- 7-3/16 [183]

PREFIXES

- ___ Z D.C.C.I. Body and Grate*
- ___ ZB D.C.C.I Body w/Polished Bronze Top (Add 3/16 [5] to 2-3/4 [70] and 3/4 [19] to 12-1/2 [318] Dim.)
- ___ ZN D.C.C.I Body w/Polished Nickel Bronze Top (Add 3/16 [5] to 2-3/4 [70] and 3/4 [19] to 12-1/2 [318] Dim.)

SUFFIXES

- ___ -AR Acid Resistant Epoxy Coated Finish
- ___ -G Galvanized Cast Iron
- ___ -HL Hinged Locking Grate
- ___ -LY Less Sediment Bucket
- ___ -SS Stainless Mesh Liner for Bucket
- ___ -TC Neo-Loc Test Cap Gasket
(3,4 [76,102] NL Bottom Outlets Only)
- ___ -TS Top Secured With Slotted Screws
- ___ -V Backwater Valve (See Z-1099)
- ___ -VP Vandal Proof Secured Top
- ___ -YA Aluminum Sediment Bucket
- ___ -YC Cast Iron Sediment Bucket
- ___ -90 90° Threaded Side Outlet Body

* Regularly furnished unless otherwise specified.