

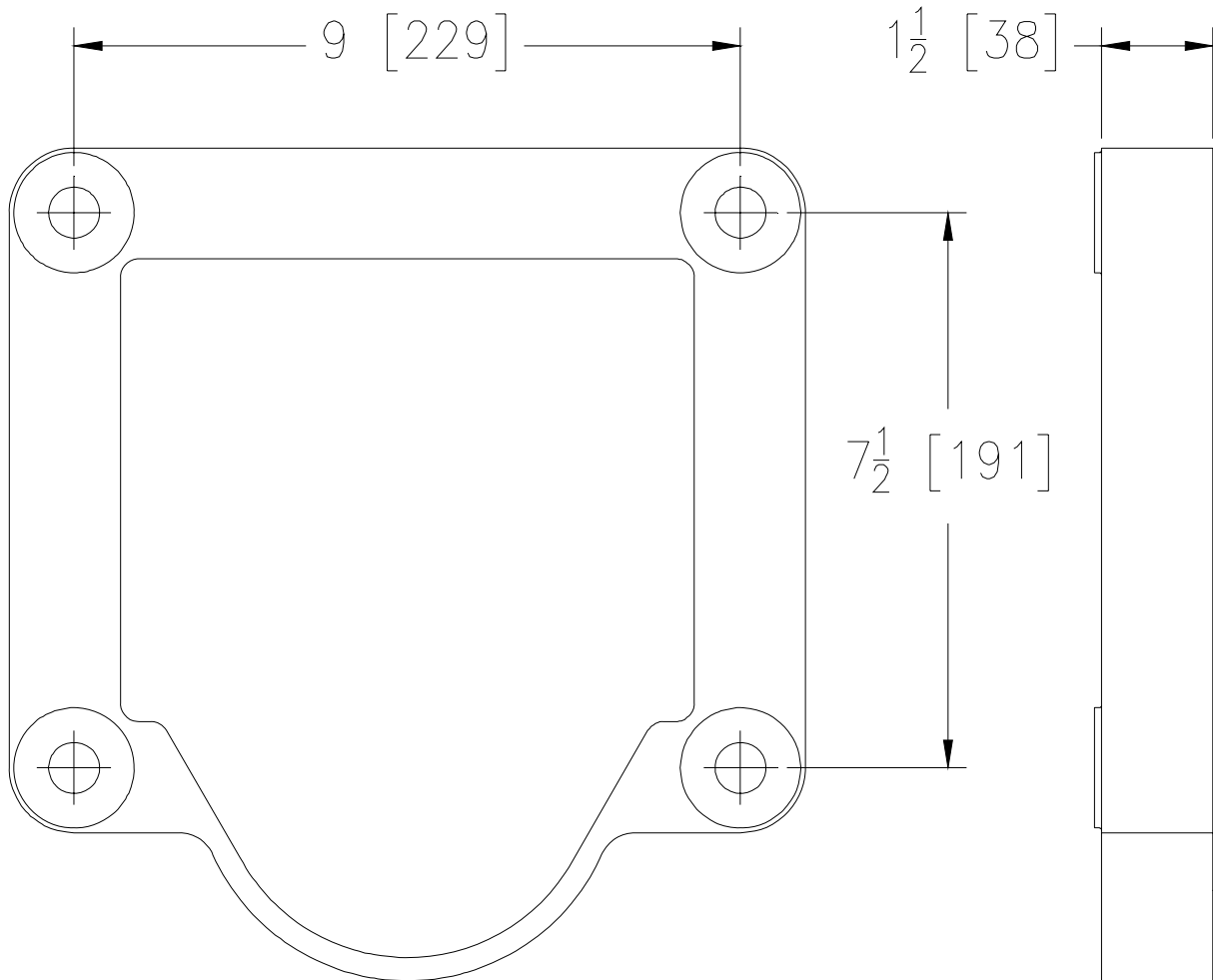


Z1210-45
FINISHING FRAME
FOR SIPHON JET SYSTEM

SPECIFICATION SHEET

TAG _____

Dimensional Data (inches and [mm]) are Subject to Manufacturing Tolerances and Change Without Notice



ENGINEERING SPECIFICATION: ZURN Z1210-45
ABS Finishing Frame for Siphon Jet System.

REV. A	DATE: 11/18/10	C.N. NO. 120480
DWG. NO. 57009	PRODUCT NO. Z1210-45	