



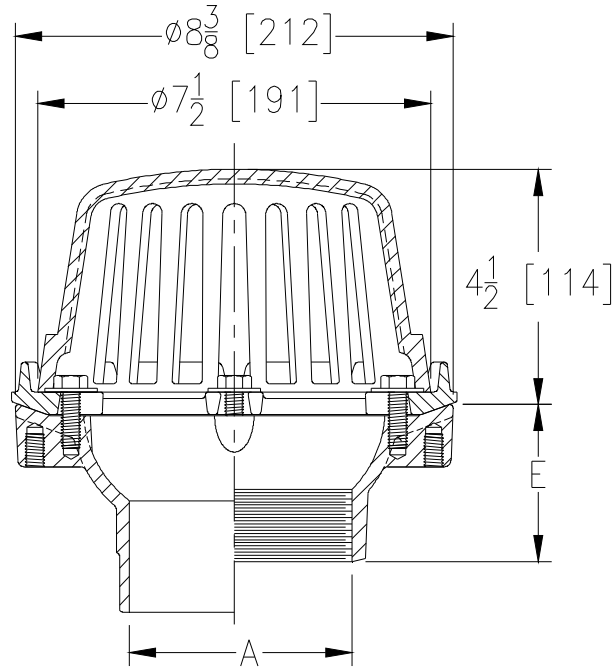
ZRB125-118

8-3/8 [213] DIAMETER ROOF DRAIN WITH LOW SILHOUETTE BRONZE DOME AND BRONZE COLORED EPOXY COATED CAST IRON

SPECIFICATION SHEET

TAG _____

Dimensional Data (inches and [mm]) are Subject to Manufacturing Tolerances and Change Without Notice



| A Pipe Size In. | Approx. Wt. Lbs. [kg] | Dome Open Area Sq. In. [cm ²] |
|--------------------|-----------------------------|--|
| 2,3,4 [51,76,102] | 14 [6] | 43 [277] |

ENGINEERING SPECIFICATION: ZURN ZRB125-118

8-3/8" [213mm] Diameter roof drain, Acid Resistant Epoxy Coated cast iron body with combination membrane flashing clamp/gravel guard and low silhouette plain bronze dome. All cast iron components to be coated with bronze colored, acid resistant epoxy coating.

OPTIONS (Check/specify appropriate options)

PIPE SIZE

- 2,3,4 [51,76,102]
- 2 [51]
- 3 [76]
- 4 [102]
- 2,3,4 [51,76,102]
- 2,3,4 [51,76,102]

(Specify size/type) **OUTLET**

- _____ IC Inside Caulk
- _____ IP Threaded
- _____ IP Threaded
- _____ IP Threaded
- _____ NH No-Hub
- _____ NL Neo-Loc

'E' BODY HT. DIM.

- 3-7/8 [98]
- 2-7/16 [62]
- 2-3/4 [70]
- 3 [76]
- 4 [102]
- 3-13/16 [97]

PREFIXES

- _____ ZC D.C.C.I. Body with Low Silhouette Bronze Colored Cast Iron Dome
- _____ ZRB D.C.C.I. Body with Plain Bronze Dome (3-1/4 [83] Dome Height)*

SUFFIXES

- _____ -BS Bronze Mesh Screen Over Dome
- _____ -C Underdeck Clamp
- _____ -DP Top-Set® Roof Deck Plate
(Replaces both the -C and -R)
- _____ -DR Top-Set® Drain Riser
- _____ -E 2 [51] High Static Extension (Specify Height)
- _____ -EB Top-Set® Adjustable Extension Assembly
- _____ -FG Flush Grate (Replaces Dome Strainer)
- _____ -G Galvanized Cast Iron
- _____ -R Roof Sump Receiver
- _____ -SC Secondary Clamping Collar
- _____ -SS Stainless Mesh Screen Over Dome
- _____ -TC Neo-Loc Test Cap Gasket
(2,3,4 [51,76,102] NL Bottom Outlet Only)
- _____ -VP Vandal Proof Secured Top
- _____ -XJ Vertical Expansion Joint (See Z190)
- _____ -84 Stainless Steel Perforated Gravel Guard
- _____ -85 Stainless Steel Perforated Extension
- _____ -89 2 [51] High External Water Dam
- _____ -90 90° Threaded Side Outlet Body
(2,3,4 [51,76,102]) (Previously Z126)

* Regularly furnished unless otherwise specified.