



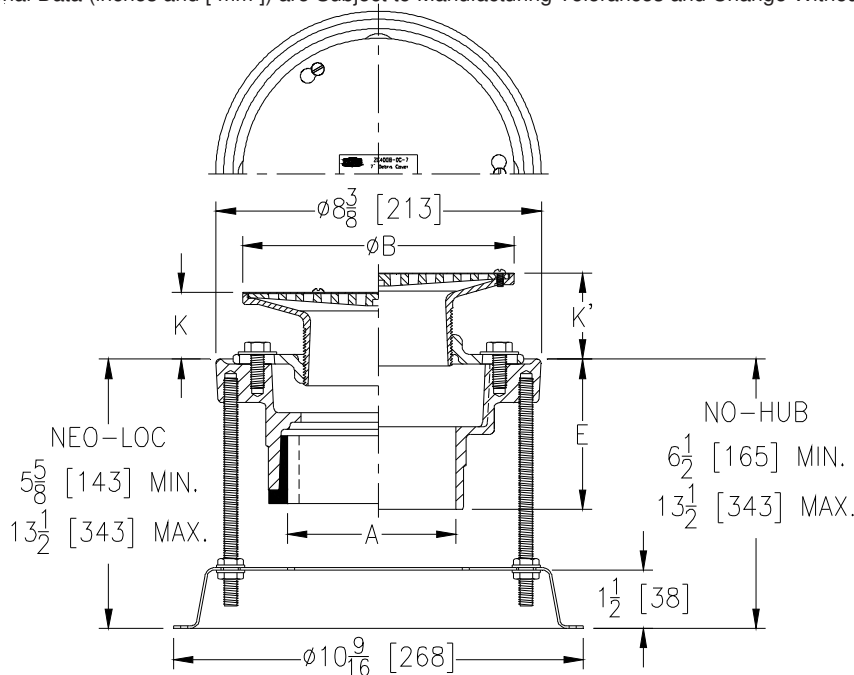
Z415B-PC-SA

FLOOR AND SHOWER DRAIN
W/ PROTECTIVE COVER AND STABILIZER ASSEMBLY

SPECIFICATION SHEET

TAG _____

Dimensional Data (inches and [mm]) are Subject to Manufacturing Tolerances and Change Without Notice



7" Top Illustrated

Dimensions in In [mm]						Approx Wt. lbs [kg]	Strainer Open Area in ² [cm ²]
A	B	K		K'			
Pipe Size	Strainer Dia.	Mn	Max	Mn	Max		
2,3 [51,76]	5 [127]	1 [25]	1-1/2 [38]	1-3/32 [28]	2-1/4 [57]	14 [6]	8 [52]
2,3,4 [51,76,102]	6 [152]	1 [25]	1-25/32 [45]	1-13/32 [36]	2-17/32 [64]	16 [7]	9 [58]
2,3,4 [51,76,102]	7 [178]	1 [25]	2-1/8 [54]	1-23/32 [44]	2-7/8 [73]	17 [8]	12 [77]
3,4 [76,102]	8 [203]	1-5/32 [30]	2-1/8 [54]	1-3/4 [44]	2-7/8 [73]	19 [9]	18 [116]

ENGINEERING SPECIFICATION: ZURN ZN415B-PC-SA

Floor and shower drain, Dura-Coated cast iron body with bottom outlet, combination invertible membrane clamp and adjustable collar with seepage slots, "TYPE B" polished nickel bronze light duty strainer with galvanized steel construction debris cover and stabilizer assembly.

OPTIONS (Check/specify appropriate options)

PIPE SIZE

2,3,4 [51,76,102]

2,3,4 [51,76,102]

(Specify size/type) OUTLET

_____ NH No-Hub

_____ NL Neo-Loc

E BODY HT. DIM.

3-3/16 [97]

3-7/8 [98]

PREFIXES

_____ ZB D.C.C.I. Body with Polished Bronze Top

_____ ZN D.C.C.I. Body with Polished Nickel Bronze Top*

SUFFIXES

_____ -AR Acid Resistant Epoxy Coated Cast Iron
2-1/8 [54] thru 3-1/2 [89]

_____ -CP Chrome-Plated Bronze Top

_____ -G Galvanized Cast Iron

_____ -HD Heavy-Duty Slotted Grate (ZN 5,6 [127,152] Only)

_____ -OF Oval Funnel (6,7,8 [152,178,203] Strainers Only)

_____ -P Trap Primer Connection

(Specify 1/2 [13] or 3/4 [19])

_____ -PC Protective Cover

_____ -TC Neo-Loc Test Cap Gasket
(2,3,4 [51,76,102] NL Bottom Outlet Only)

_____ -U 1-3 [25-76] High Extension Adapter

_____ -V Backwater Valve

_____ -VP Vandal Proof Secured Top

_____ -Y Sediment Bucket

_____ -4 4 [102] Diameter Funnel

* Regularly furnished unless otherwise specified.