



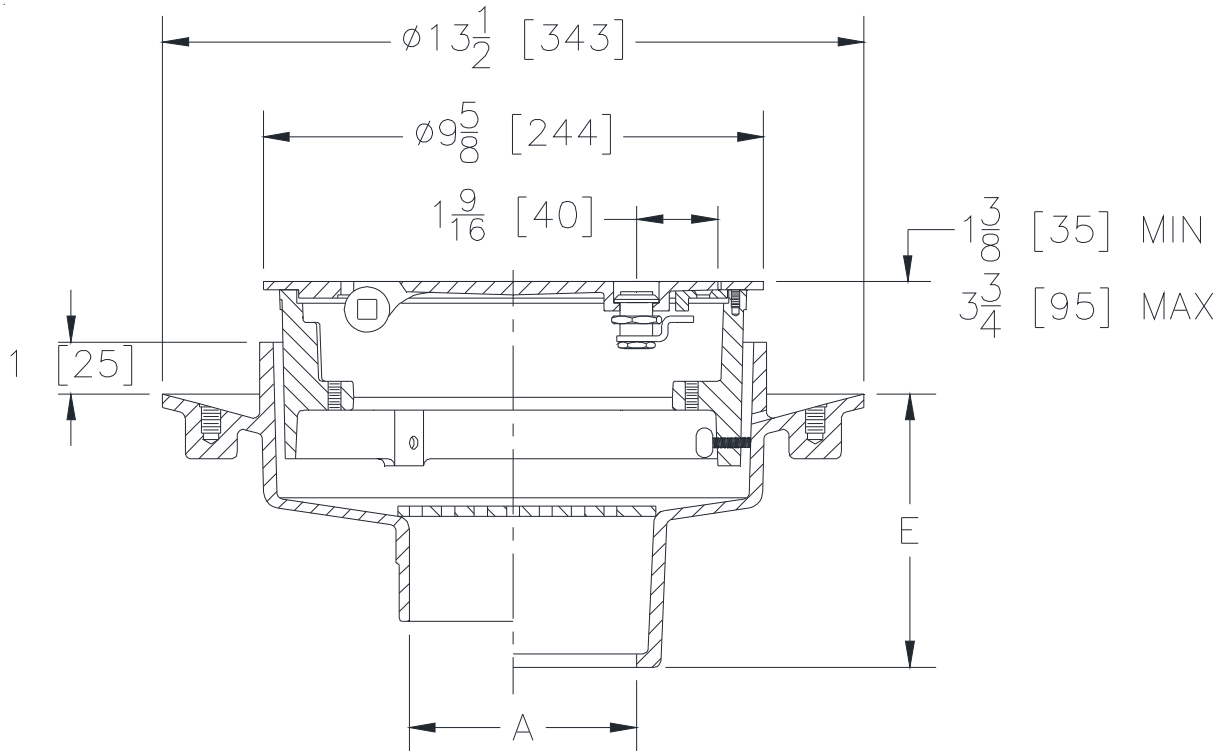
Z529-75

9 [229] SOLID HINGED
LIGHT DUTY DRAIN WITH CYLINDER LOCK

SPECIFICATION SHEET

TAG _____

Dimensional Data (inches and [mm]) are Subject to Manufacturing Tolerances and Change Without Notice



A- Pipe Size In.	Approx. Wt. Lbs. [kg]
2,3,4 [51,76,102]	35 [13]
6 [152]	40 [15]

ENGINEERING SPECIFICATION: ZURN Z529-75

9" [229mm] Diameter top drain, Dura-Coated cast iron body with bottom outlet, seepage pan and adjustable extension frame for nickel bronze rim and cylinder locking, hinged type light duty cover with secondary strainer.

OPTIONS (Check/specify appropriate options)

PIPE SIZE	(Specify size/type)	OUTLET	'E' DIM.
2,3,4 [51,76,102]	___	IC Inside Caulk	5-1/4 [133]
2,3,4 [51,76,102]	___	IG Inside Gasket	5-1/4 [133]
2,3,4 [51,76,102]	___	IP Threaded	3-1/2 [89]
2,3,4,6 [51,76,102,152]	___	NH No-Hub	4-1/4 [108]
2,3,4,6 [51,76,102,152]	___	NL Neo-Loc	4-3/8 [111]

PREFIXES

- ___ ZB D.C.C.I. Body with Polished Bronze Top
- ___ ZN D.C.C.I. Body with Polished Nickel Bronze Top*

SUFFIXES

- ___ -C Clamp Collar
- ___ -G Galvanized Cast Iron
- ___ -P Trap Primer Connection
- ___ -T 10 [254] Square Top
- ___ -TC Neo-Loc Test Cap Gasket
(2 [51] - 4 [102] NL Bottom Outlet Only)
- ___ -V Backwater Valve (See Z1099)
- ___ -Y Sediment Bucket

* Regularly furnished unless otherwise specified.