



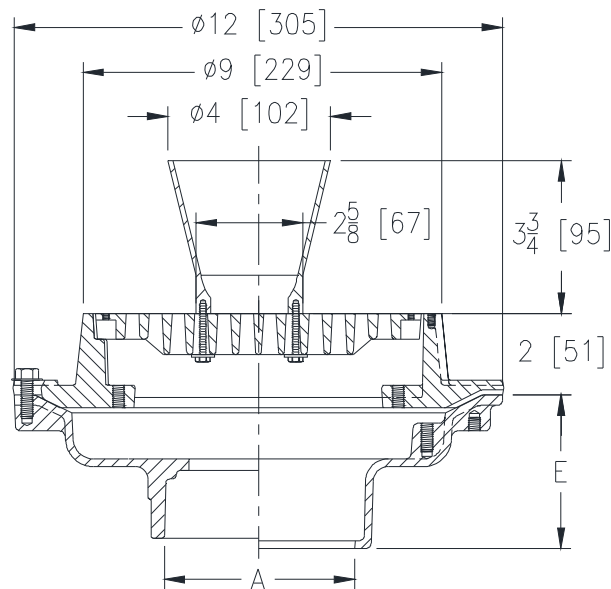
Z550-106

9 [229] DIAMETER DRAIN WITH FUNNEL TOP

SPECIFICATION SHEET

TAG _____

Dimensional Data (inches and [mm]) are Subject to Manufacturing Tolerances and Change Without Notice



A Pipe Size In [mm]	Approx. Wt. Lbs. [kg]	Grate Open Area Sq. In. [cm ²]
2, 3, 4 [51, 76, 102]	28 [13]	18 [116]
6 [152]	30 [14]	

ENGINEERING SPECIFICATION: ZURN Z550-106

9" [229mm] Diameter top drain, Dura-Coated cast iron body with bottom outlet, seepage pan and combination membrane flashing clamp and frame, cast iron, heel-proof slotted grate with funnel top.

OPTIONS (Check/specify appropriate options)

PIPE SIZE

- 3, 4 [76, 102]
- 3, 4 [76, 102]
- 3, 4 [76, 102]
- 2, 3, 4 [51, 76, 102]
- 6 [152]
- 2, 3, 4 [51, 76, 102]

OUTLET (Specify size/type)

- _____ IC Inside Caulk
- _____ IG Inside Gasket
- _____ IP Threaded
- _____ NH No-Hub
- _____ NH No-Hub
- _____ NL Neo-Loc

'E' BODY HT. DIM.

- 3-3/4 [95]
- 3-3/4 [95]
- 2-3/4 [70]
- 4-3/4 [121]
- 5-1/4 [133]
- 3-1/2 [89]

PREFIXES

- _____ Z D.C.C.I. Body and Top*
- _____ ZB D.C.C.I. Body with Polished Bronze Top (Add 3/16 [5] to 2 [51] Dim. & 3/4 [20] to 9 [229] Dim.)
- _____ ZN D.C.C.I. Body with Polished Nickel Bronze Top (Add 3/16 [5] to 2 [51] Dim. & 3/4 [20] to 9 [229] Dim.)

SUFFIXES

- _____ -AR Acid Resisting Epoxy Coated Cast Iron
- _____ -G Galvanized Cast Iron
- _____ -P Trap Primer Connection
- _____ -S Secondary Strainer
- _____ -SS Stainless Mesh Liner for Bucket
- _____ -TC Neo-Loc Test Cap Gasket
(2, 3, 4 [51, 76, 102] NL Bottom Outlet Only)
- _____ -TG Tractor Grate
- _____ -TS Top Secured with Slotted Screw
- _____ -VP Vandal-Proof Secured Top
- _____ -Y Sediment Bucket
- _____ -90 90° Threaded Side Outlet Body
(2, 3, 4 [51, 76, 102])

* Regularly furnished unless otherwise specified.