

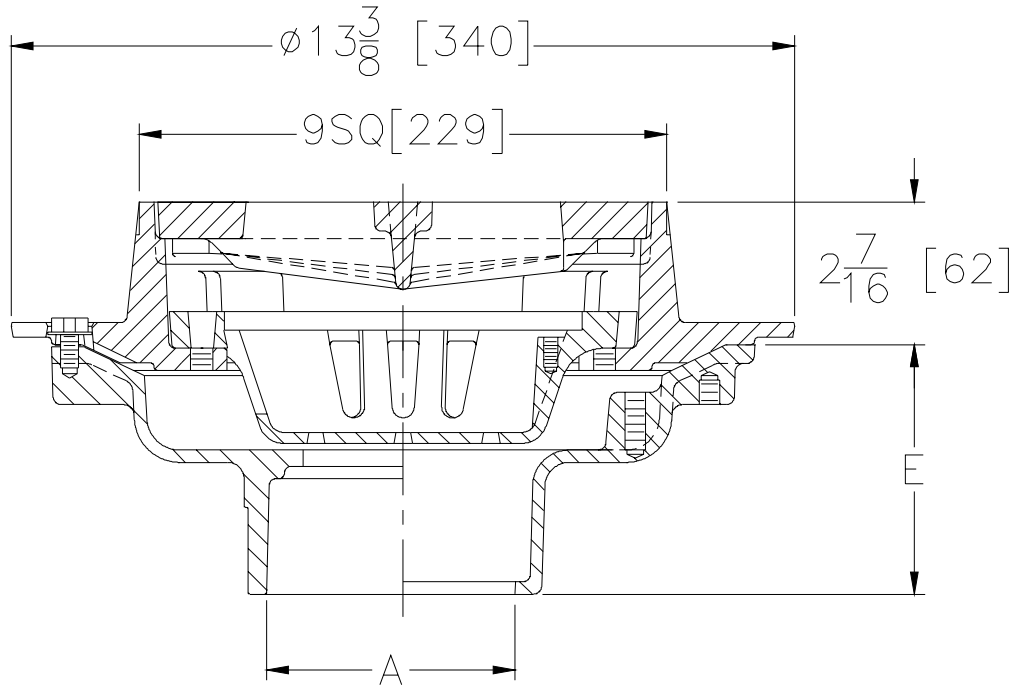


# Z609-Y

## 9" [229] SQUARE HEAVY DUTY DRAIN W/ SEDIMENT BUCKET

TAG \_\_\_\_\_

Dimensional Data (inches and [ mm ]) are Subject to Manufacturing Tolerances and Change Without Notice



A- Pipe Size In.	Approx. Wt. Lbs. [kg]	Grate Open Area Sq. In. [cm <sup>2</sup> ]
2-3-4 [50-75-100]	30 [14]	14 [90]

**ENGINEERING SPECIFICATION:** ZURN Z609-Y 9" [229] Square Top Drain, Dura-Coated cast iron body with bottom outlet, seepage pan, and heavy duty cast iron anti-tilt slotted grate with sediment bucket and combination membrane flashing clamp and frame.

**OPTIONS** (Check/specify appropriate options)

**PIPE SIZE**

- 2 thru 4 [50 thru 100]
- 2 thru 4 [50 thru 100]
- 2 thru 4 [50 thru 100]
- 2 thru 4 [50 thru 100]
- 2 thru 4 [50 thru 100]

(Specify size/type) **OUTLET**

- \_\_\_\_\_ IC Inside Caulk
- \_\_\_\_\_ IG Inside Caulk w/Sealtrol Gskt.
- \_\_\_\_\_ IP Threaded
- \_\_\_\_\_ NH No-Hub
- \_\_\_\_\_ NL Neo-Loc

**'E' BODY HT. DIM.**

- 3 3/4 [95]
- 3 3/4 [95]
- 2 3/4 [70]
- 4 3/4 [121]
- 3 1/2 [89]

**PREFIXES**

- \_\_\_\_\_ Z D.C.C.I. Body and Grate\*
- \_\_\_\_\_ ZB D.C.C.I. Body w/Polished Bronze Top (Add 3/16 [5] to 2 7/16 [62] Dim.)
- \_\_\_\_\_ ZN D.C.C.I. Body w/Polished Nickel Bronze Top (Add 3/16 [5] to 2 7/16 [62] Dim.)

**SUFFIXES**

- \_\_\_\_\_ -AR Acid Resistant Epoxy Coated Finish
- \_\_\_\_\_ -DG Duresist Grate
- \_\_\_\_\_ -F 2" [51] Extension
- \_\_\_\_\_ -G Galvanized Cast Iron
- \_\_\_\_\_ -GG Galvanized Grate
- \_\_\_\_\_ -H Hinged Grate
- \_\_\_\_\_ -HL Hinged Locking Grate
- \_\_\_\_\_ -P Trap Primer Connection
- \_\_\_\_\_ -S Secondary Strainer
- \_\_\_\_\_ -SC Solid Cover
- \_\_\_\_\_ -SS Stainless Steel Mesh Liner for Bucket
- \_\_\_\_\_ -TS Top Secured with Slotted Screws
- \_\_\_\_\_ -V Backwater Valve (See Z-1099)
- \_\_\_\_\_ -VP Vandal-Proof Secured Top
- \_\_\_\_\_ -90 90° Threaded Side Outlet Body

\*REGULARLY FURNISHED UNLESS OTHERWISE SPECIFIED

REV.	DATE: 6/13/03	C.N. NO. 91057
DWG. NO. 67334		PRODUCT NO. Z609-Y