



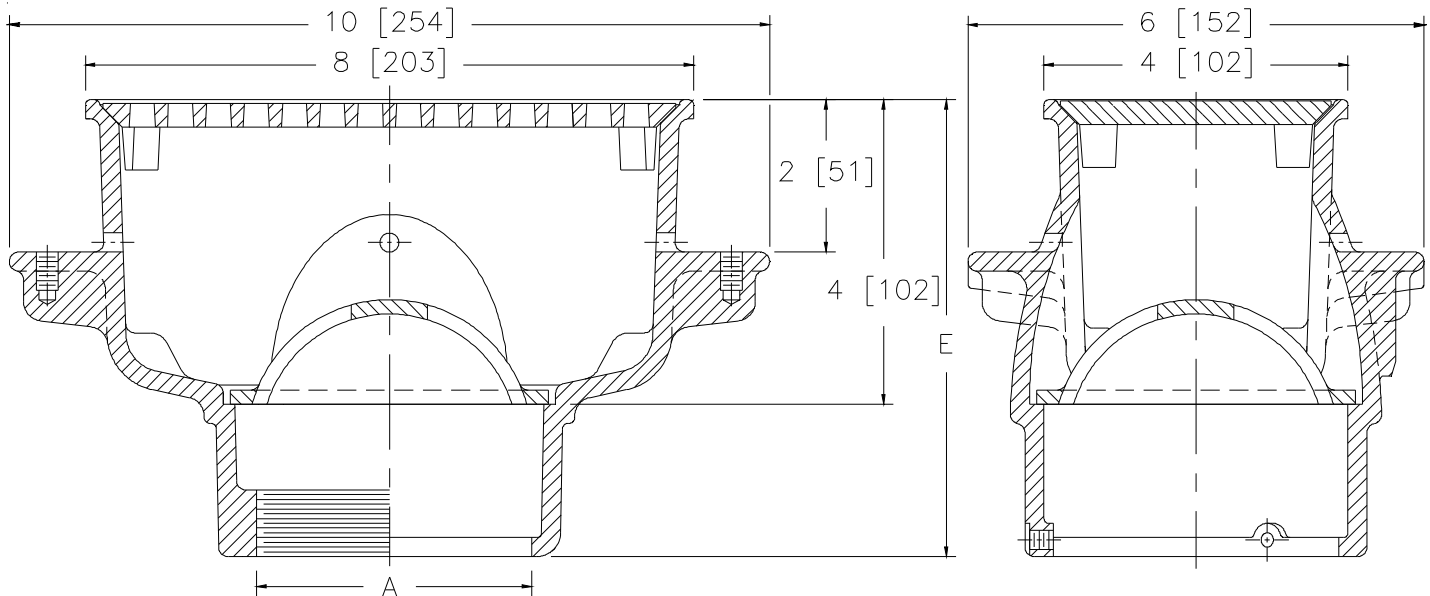
Z1930-K

8 X 4 [203 X 102] A.R.C. SANI-FLOR RECEPTOR
4 [102] SUMP DEPTH W/ ANCHOR FLANGE

SPECIFICATION SHEET

TAG _____

Dimensional Data (inches and [mm]) are Subject to Manufacturing Tolerances and Change Without Notice



A- Pipe Size In. [mm]	Approx. Wt. Lbs. [kg]	Grate Open Area Sq. In. [cm ²]
2,3 [51,76]	11 [5]	7.5 [48]

ENGINEERING SPECIFICATION: ZURN Z1930-K
Sani-Flor Receptor 8" x 4" x 4" [203mm x 102mm x 102mm] deep cast iron body with anchor flange with seepage holes, and rectangular square hole light duty grate, with white acid resisting epoxy coated interior and top, and white ABS anti-splash interior bottom dome strainer.

OPTIONS (Check/specify appropriate options)

PIPE SIZE	(Specify size/type)	OUTLET		'E' BODY HT. DIMENSION	
				Z	ZN
3 [76]	_____	IC	Inside Caulk	6 [152]	6-3/8 [162]
2, 3 [51, 76]	_____	IP	Threaded	6 [152]	6-3/8 [162]
2, 3 [51, 76]	_____	NL	Neo-Loc	5-13/16 [148]	6-3/16 [157]

PREFIXES

- _____ Z Cast Iron Body with White A.R.C. Interior*
- _____ ZN Cast Iron Body with White A.R.C. Interior, 8-3/4 x 4-3/4 [222 x 121] Nickel Bronze Frame and Full Grate with 1/4 [6] Square Openings

SUFFIXES

- | | | | |
|-----------|--|-----------|--|
| _____ -LD | Less Internal Bottom Dome Strainer | _____ -11 | Vandal-Proof Secured Grate |
| _____ -P | 1/2 [13] Trap Primer Connection | _____ -15 | Solid Loose Set Cover |
| _____ -S | Secondary Strainer | _____ -23 | Stainless Steel Bucket |
| _____ -TC | Neo-Loc Test Cap Gasket
(2,3 [51,76] NL Bottom Outlet Only) | _____ -25 | White A.R.C. Bucket |
| _____ -1 | Less Grate | _____ -31 | Stainless Steel Mesh Liner for Bucket |
| _____ -2 | 1/2 Grate | _____ -32 | Aluminum Dome Strainer |
| _____ -3 | 3/4 Grate | _____ -33 | White A.R.C. Anti-Splash Bottom
Dome Strainer |
| _____ -4 | Full Grate w/ 2 [51] Square Center Opening | | |
| _____ -6 | Grate w/ 6 Diameter x 6 [152 x 152] High Funnel | | |
| _____ -8 | Grate w/ 8-7/8 x 3-5/8 x 3-3/4
[225 x 92 x 95] High Oval Funnel | | |

* Regularly furnished unless otherwise specified.