



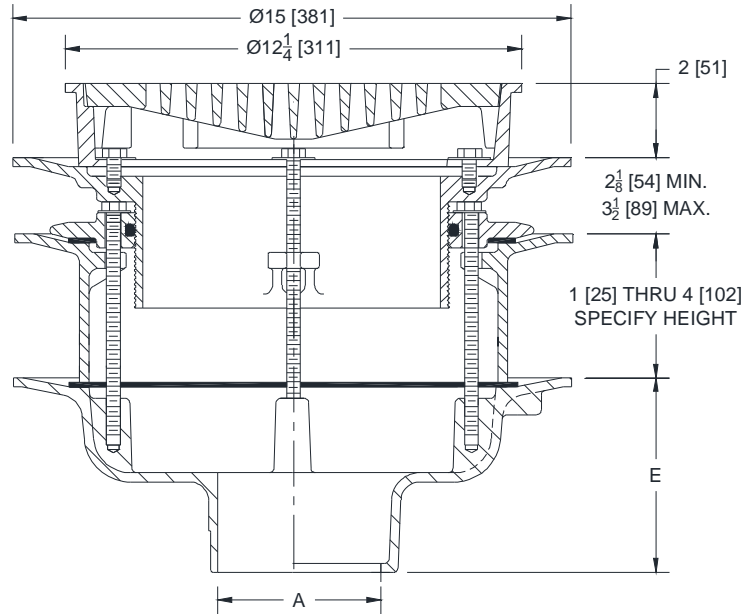
Z505-101

12-1/4 [311] HEAVY DUTY DRAIN WITH STATIC EXTENSION FRAME & ADJUSTABLE EXTENSION

SPECIFICATION SHEET

TAG _____

Dimensional Data (inches and [mm]) are Subject to Manufacturing Tolerances and Change Without Notice



A Pipe Size In.[mm]	Approx. Wt. Lbs.[kg]	Grate Open Area Sq. In. [cm ²]
2,3,4,6 [51,76,102,152]	38 [17]	30 [194]
8 [203]	40 [18]	

ENGINEERING SPECIFICATION: ZURN Z505-101

12-1/4" [311mm] Diameter top drain. Dura-Coated cast iron body with bottom outlet, static extension/adjustable extension, seepage pan, and combination membrane flashing clamp and frame for heavy-duty deep flange slotted grate.

OPTIONS (Check/specify appropriate options)

PIPE SIZE

- 3,4,6 [76,102,152]
- 3,4,6 [76,102,152]
- 2,3,4,6,8 [51,76,102,152,203]
- 2,3,4,6,8 [51,76,102,152,203]
- 2,3,4 [51,76,102]

(Specify size/type) OUTLET

- ___ IC Inside Caulk
- ___ IG Inside Gasket
- ___ IP Threaded
- ___ NH No-Hub
- ___ NL Neo-Loc

'E' BODY HT. DIM.

- 5-1/4 [133]
- 5-1/4 [133]
- 3-3/4 [95]
- 5-1/4 [133]
- 4-5/8 [117]

PREFIXES

- ___ Z D.C.C.I. Body and Top*
- ___ ZB D.C.C.I. Body with Polished Bronze Top (Add 3/16 [5] to 2 [51] Dim. and 3/4 [20] to 12-1/4 [311] Dim.)
- ___ ZN D.C.C.I. Body with Polished Nickel Bronze Top (Add 3/16 [5] to 2 [51] Dim. and 3/4 [20] to 12-1/4 [311] Dim.)

SUFFIXES

- | | |
|---|--|
| ___ -AR Acid Resisting Epoxy Coated Cast Iron | ___ -SS Stainless Mesh Liner for Bucket |
| ___ -D Dome Grate | ___ -T Square Top |
| ___ -DG Duresist Grate | ___ -TC Neo-Loc Test Cap Gasket
(2,3,4 [51,76,102] NL Bottom Outlet Only) |
| ___ -G Galvanized Cast Iron | ___ -TS Top Secured with Slotted Screws |
| ___ -HP Heel-Proof Grate | ___ -V Backwater Valve (See Z1099) |
| ___ -HT Square Hinged Grate | ___ -VP Vandal-Proof Secured Top |
| ___ -P Trap Primer Connection | ___ -Y Sediment Bucket |
| ___ -S Secondary Strainer | ___ -90 90° Threaded Side Outlet Body
(2,3,4,6 [51,76,102,152] Only) |
| ___ -SA Stabilizer Assembly (See Z1036) | |
| ___ -SC Solid Cover | |

* Regularly furnished unless otherwise specified.