



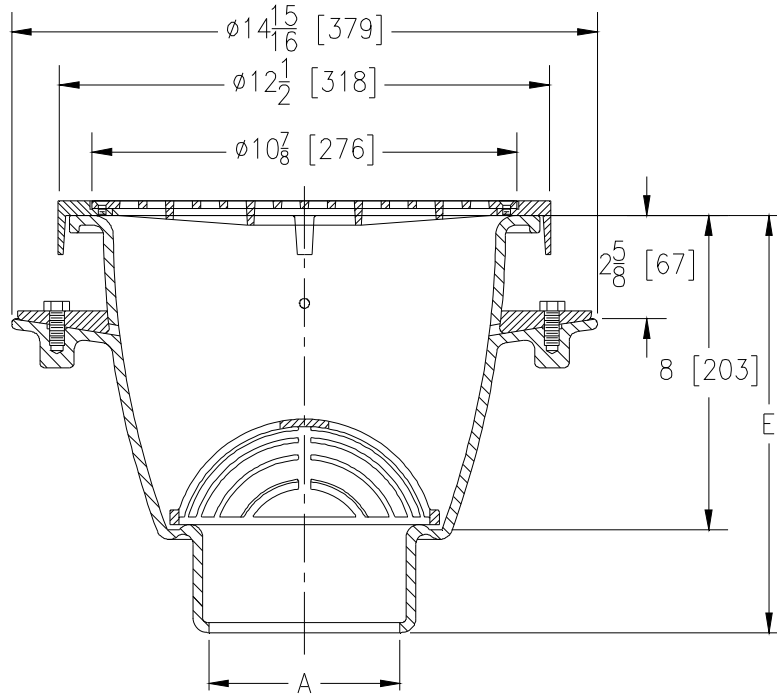
ZN1950-KC

12 [305] DIAMETER A.R.E. SANI-FLOR RECEPTOR
 8 [203] SUMP DEPTH WITH NICKEL BRONZE FRAME
 AND GRATE WITH ANCHOR FLANGE AND CLAMPING COLLAR

SPECIFICATION SHEET

TAG _____

Dimensional Data (inches and [mm]) are Subject to Manufacturing Tolerances and Change Without Notice



A- Pipe Size In. [mm]	Approx Wt. Lbs. [kg]	Grate Open Area Sq. In. [cm ²]
2, 3, 4 [51, 76, 102]	35 [15]	22 [142]

ENGINEERING SPECIFICATION: ZURN ZN1950-KC
 Sani-Flor Receptor 12" [305mm] diameter x 8" [203mm] deep cast iron body, with white acid resisting porcelain enamel interior and top, black ground enamel exterior coating, flange with seepage holes, clamping collar and round slotted light duty grate. Complete with ABS anti-splash interior bottom dome strainer.

OPTIONS (Check/specify appropriate options)

PIPE SIZE

- 3, 4 [76, 102]
- 2, 3, 4 [51, 76, 102]
- 2, 3, 4 [51, 76, 102]

(Specify size/type) **OUTLET**

- ___ IC Inside Caulk
- ___ NH No-Hub
- ___ NL Neo-Loc

'E' BODY HT. DIMENSION

- 11 [279]
- 11 [279]
- 10-3/8 [264]

PREFIXES

- ___ ZN Cast Iron Body with White A.R.E. Interior, Full Grate with 1/4 [6] Square Openings*

SUFFIXES

- | | |
|--|---|
| ___ -LD (Less) Internal Bottom Dome Strainer | ___ -11 Vandal Proof Secured Grate |
| ___ -P 1/2 [13] Threaded Trap Primer Connection (See Z1023) | ___ -15 Solid Loose Set Cover |
| ___ -TC Neo-Loc Test Cap Gasket (2, 3, 4, [51, 73, 102] NL Outlets Only) | ___ -23 Aluminum Bucket |
| ___ -1 (Less) Grate | ___ -25 White A.R.E. Bucket |
| ___ -2 1/2 Grate | ___ -31 Stainless Steel Mesh Liner for Bucket |
| ___ -3 3/4 Grate | ___ -32 Aluminum Dome Strainer |
| ___ -4 Full Grate With 2 [51] Square Opening | ___ -33 White A.R.E. Anti-Splash Bottom Dome Strainer |
| ___ -6 Grate w/6 [152] dia. x 6 [152] High Funnel | |
| ___ -8 Grate w/8 7/8 x 3 5/8 x 3 3/4 [225 x 92 x 95] High Oval Funnel | |

* Regularly furnished unless otherwise specified.