



Z415B-118

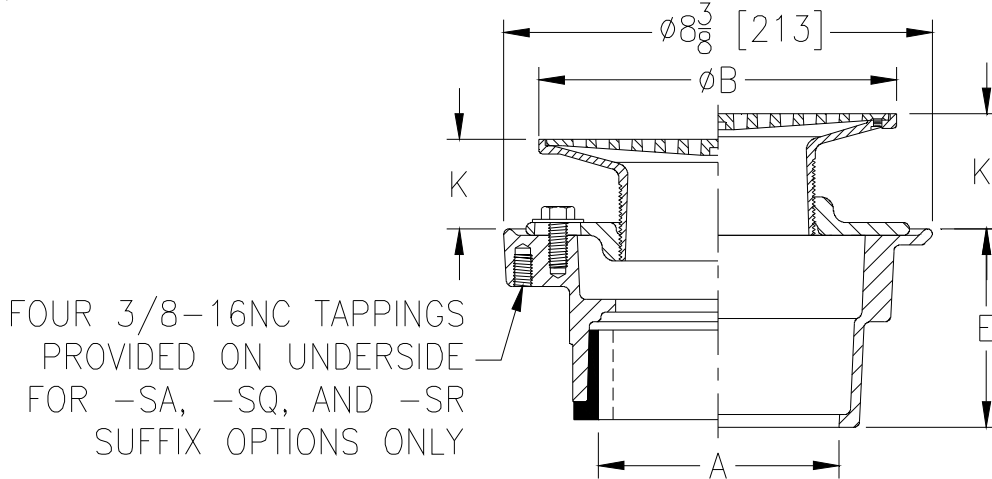
BODY ASSEMBLY

W/ 8 [203] "TYPE B" STRAINER

SPECIFICATION SHEET

TAG _____

Dimensional Data (inches and [mm]) are Subject to Manufacturing Tolerances and Change Without Notice



Dimensions In Inches						Approx. Wt. Lbs. [kg]	Strainer Open Area Sq. In. [cm ²]
A Pipe Size	B Strainer Dia.	K		K'			
		Min.	Max.	Min.	Max.		
2-3-4 [51-76-102]	8 [203]	1-5/32 [30]	2-1/8 [54]	1-3/4 [44]	2-7/8 [73]	16 [7]	18 [116]

ENGINEERING SPECIFICATION: ZURNZN415B-118

Floor and shower drain, Dura-Coated cast iron body with bottom outlet, combination invertible membrane clamp and adjustable collar with seepage slots and 8 [203] "TYPE B" polished nickel bronze, light-duty strainer.

OPTIONS (Check/specify appropriate options)

PIPE SIZE

- 2 thru 4 [51 thru 102]
- 2 thru 4 [51 thru 102]
- 2 [51]
- 3 [76]
- 4 [102]
- 2 thru 4 [51 thru 102]
- 2 thru 4 [51 thru 102]

(Specify size/type) **OUTLET**

- _____ IC Inside Caulk
- _____ IG Inside Gasket
- _____ IP Threaded
- _____ IP Threaded
- _____ IP Threaded
- _____ NH No-Hub
- _____ NL Neo-Loc

'E' BODY HT. DIM.

- 3-7/8 [98]
- 3-7/8 [98]
- 2-3/8 [60]
- 2-5/8 [67]
- 2-7/8 [73]
- 3-7/8 [98]
- 3-3/4 [95]

PREFIXES

- ___ ZB D.C.C.I. Body Assembly w/ Polished Bronze Top
- ___ ZN D.C.C.I. Body Assembly w/ Polished Nickel Bronze Top*

SUFFIXES

- ___ -AA All Acid Resisting Epoxy
- ___ -AR Acid Resisting Epoxy Coated Cast Iron
- ___ -C Clamp Collar for -90 Side Outlet Body
- ___ -CP Chrome-Plated Bronze Top
- ___ -DC Debris Cover
- ___ -DP Decorative Polished Top
- ___ -EF 3/8 [16] Extension Frame
- ___ -G Galvanized Cast Iron
- ___ -HD Heavy-Duty Slotted Grate (ZN 5 [127] & 6 [152] Sizes Only)
- ___ -OF Oval Funnel (Z329-7) (6-10 [152-254] Strainers Only)
- ___ -P Trap Primer Connection (Specify 1/2 [13] or 3/4 [19])
- ___ -SA Stabilizer Assembly (See Z1035)
- ___ -SQ Stabilizer Q-Deck (See Z1035-Q)
- ___ -SR Stabilizer Ring
- ___ -TC Neo-Loc Test Cap Gasket (2-4 [51-102] NL Outlet Only)
- ___ -U 1-3 [25-76] High Extension Adapter
- ___ -V Backwater Valve
- ___ -VP Vandal-Proof Secured Top
- ___ -W Winter Closure Plug
- ___ -Y Sediment Bucket
- ___ -4 4 [102] Diameter Funnel (Z328)
- ___ -18 Leveling Ring (See Z400-18)
- ___ -90 90° Threaded Side Outlet Body Assembly (2 [51], 3 [76] Only)

REV.	DATE: 02/24/12	C.N. NO. 122967
DWG. NO. 309088	PRODUCT NO. Z415B-118	

*REGULARLY FURNISHED UNLESS OTHERWISE SPECIFIED