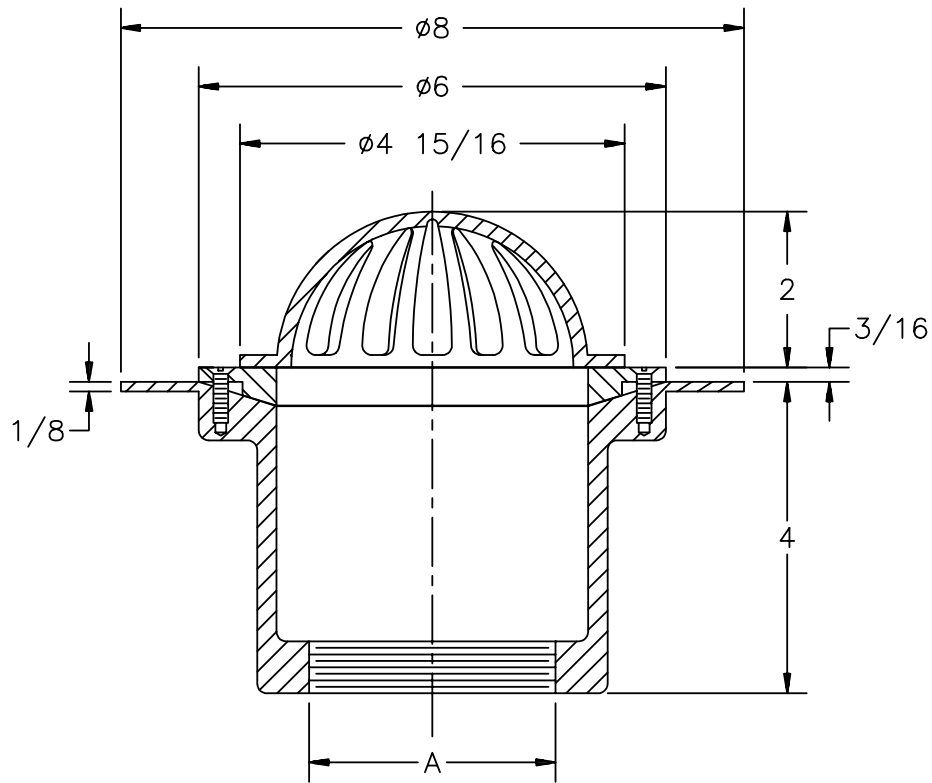




Z-181-76
6" DIAMETER CORNICE DRAIN
BOTTOM OUTLET

TAG _____

Dimensions Subject to Manufacturing Tolerances



A- Pipe Size In.	Approx. Wt. Lbs.	Dome Open Area Sq. In.
3	7	12
4	8	

ENGINEERING SPECIFICATION: ZURN ZRB-181-76 6" Diameter by 4" High Cornice drain with 8" diameter flange, Dura-Coated cast iron body, plain bronze dome, membrane flashing clamp .

OPTIONS (Check/specify appropriate options)

OUTLET (Specify type)

- _____ **IP** Threaded
- _____ **NH** No-Hub

PIPE SIZE (Specify size)

- _____ 3",4"
- _____ (IP w/Z-1040)

PREFIXES

- _____ **ZRB-** D.C.C.I. Body with Plain Bronze Dome*
- _____ **ZB-** D.C.C.I. Body with Polished Bronze Dome
- _____ **ZN-** D.C.C.I. Body with Polished Nickel Bronze Dome

SUFFIXES

- _____ **-BS** Bronze Mesh Screen Over Dome
- _____ **-FS** Flat Strainer (ZB or ZN)
- _____ **-G** Galvanized Cast Iron
- _____ **-HD** 5-3/4" High Dome
- _____ **-VP** Vandal Proof Secured Top
- _____ **-8** With 8" High Body

REV.	DATE: 6/29/93	C.N. NO. 69094
DWG. NO. P-13833 PRODUCT NO. Z-181-76		

*REGULARLY FURNISHED UNLESS OTHERWISE SPECIFIED