



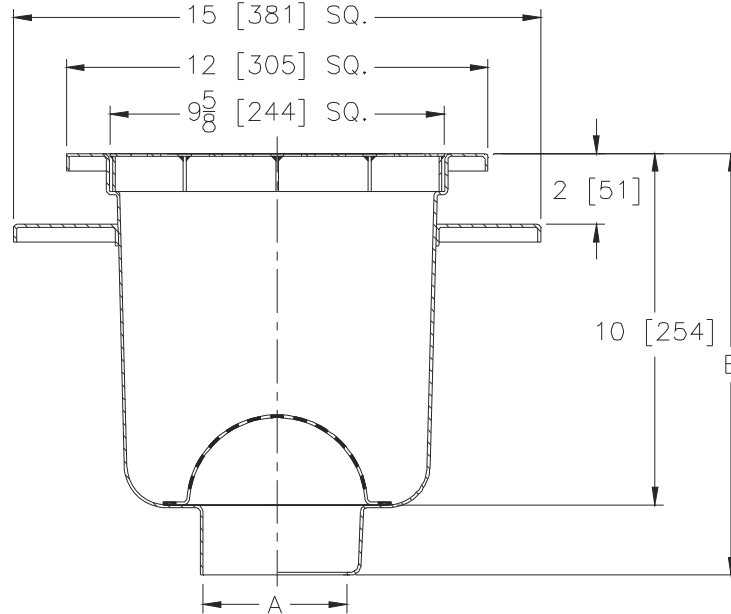
Z1752-K

12 X 12 [305 x 305] SANI-FLOR RECEPTOR, 10 [254]
SUMP DEPTH & ANCHOR FLANGE

SPECIFICATION SHEET

TAG _____

Dimensional Data (inches and [mm]) are Subject to Manufacturing Tolerances and Change Without Notice



A Pipe Size In. [mm]	Approx. Wt. Lbs. [kg]	Grate Open Area Sq. In. [cm ²]
2,3,4 [51,76,102]	22 [10]	23 [148]
6 [152]	23 [10]	23 [148]

ENGINEERING SPECIFICATION: ZURN Z1752-K

12" x 12" x 10" [305mm x 305mm x 254mm] Deep, 16 gage, all Type 304 (CF8) stainless steel light duty Sani-Flor receptor with seepage pan, non-tilt, loose set full grate with 1/2" [13mm] square openings and anti-splash interior dome strainer.

OPTIONS (Check/specify appropriate options)

PIPE SIZE

2,3,4,6 [51,76,102,152]

2,3,4 [51,76,102]

(Specify size/type) **OUTLET**

____ NH No-Hub

____ NL Neo-Loc

'E' BODY HT. DIM.

8-1/16 [205]

7-13/16 [198]

PREFIXES

____ Z Type 304 (CF8) Stainless Steel Body*

____ ZM Type 316 (CF8M) Stainless Steel

SUFFIXES

- ____ -DX Dex-O-Tex Flange
- ____ -HD Extra Heavy-Duty Grate
- ____ -HP Heel-Proof Grate
- ____ -P 1/2 [13] Trap Primer Connection
- ____ -SG Solid Gasketed Cover
- ____ -TC Neo-Loc Test Cap Gasket
(2,3,4 [51,76,102] NL Bottom Outlet Only)
- ____ -VP Vandal-Proof Secured Top
- ____ -Y Sediment Bucket
- ____ -YS Suspended Sediment Bucket
- ____ -1 (Less) Grate
- ____ -2 1/2 Grate
- ____ -3 3/4 Grate

- ____ -4 Full Grate w/ 3 [76] Square Opening
- ____ -5 Grate w/ 4 [102] Dia. x 3-3/4 [95] High
Type 304 Stainless Steel Funnel
- ____ -8 Grate w/ 8-3/8 x 3-5/8 x 3-3/4 [213 x 92 x 95]
High Type 304 Stainless Steel Oval Funnel
- ____ -15 Solid Cover
- ____ -16 1/2 Solid Cover
- ____ -19 Full Hinged Grate
- ____ -20 Full Hinged Solid Cover

* Regularly furnished unless otherwise specified.