

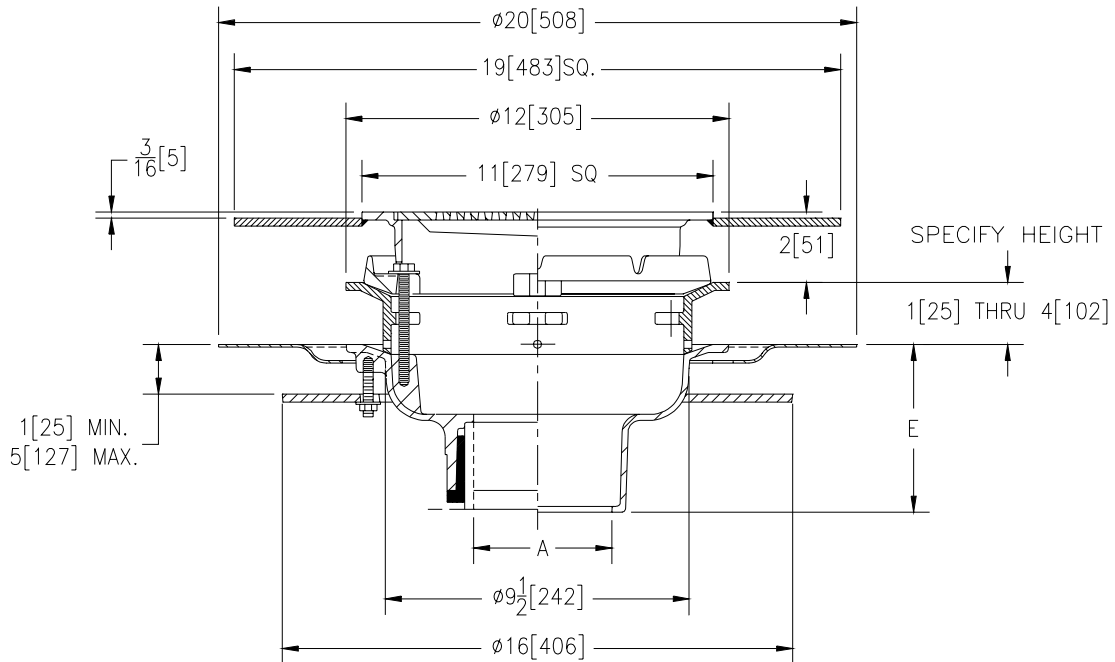


Z-154-88
11" [279] PROM-DECK DRAIN
WITH HEEL-PROOF GRATE

SPECIFICATION SHEET

TAG _____

Dimensional Data (inches and [mm]) are Subject to Manufacturing Tolerances and Changes Without Notice



A- Pipe Size In.	Approx. Wt. Lbs. [kg]	Grate Open Area Sq. In. [cm ²]
2-3-4-5-6 [50-75-100-125-150]	29 [13]	20 [129]

ENGINEERING SPECIFICATION: ZURN Z-154-88 11 [279] Top Prom-Deck drain, Dura-Coated cast iron body with static extension, roof sump receiver, underdeck clamp square promenade frame and heel-proof grate with combination membrane flashing clamp/gravel guard.

OPTIONS (Check/specify appropriate options)

PIPE SIZE

- 2 thru 6 [50 thru 150]
- 2 thru 6 [50 thru 150]
- 2 thru 6 [50 thru 150]
- 2 thru 4 [50 thru 100]

(Specify size/type) **OUTLET**

- ___ IC Inside Caulk
- ___ IP Threaded
- ___ NH No-Hub
- ___ NL Neo-Loc]

'E' BODY HT. DIM.

- 5 1/4 [133]
- 3 3/4 [95]
- 5 1/4 [133]
- 4 5/8 [117]

PREFIXES

- ___ Z- D.C.C.I. Body with Grate*
- ___ ZB- D.C.C.I. Body with Polished Bronze Grate
- ___ ZN- D.C.C.I. Body with Polished Nickel Bronze Grate

SUFFIXES

- ___ -DG Duresist Grate
- ___ -G Galvanized Cast Iron
- ___ -S Secondary Strainer
- ___ -SC Secondary Clamping Collar
- ___ -VP Vandal Proof Secured Top
- ___ -XJ Vertical Expansion Joint (See Z-190)
- ___ -85 Stainless Steel Perforated Extension
- ___ -90 90° Threaded Side Outlet Body

REV. A DATE: 11/19/96 C.N. NO. 76523
PRODUCT NO. Z-154-88
DWG. NO. P-14393

*REGULARLY FURNISHED UNLESS OTHERWISE SPECIFIED