



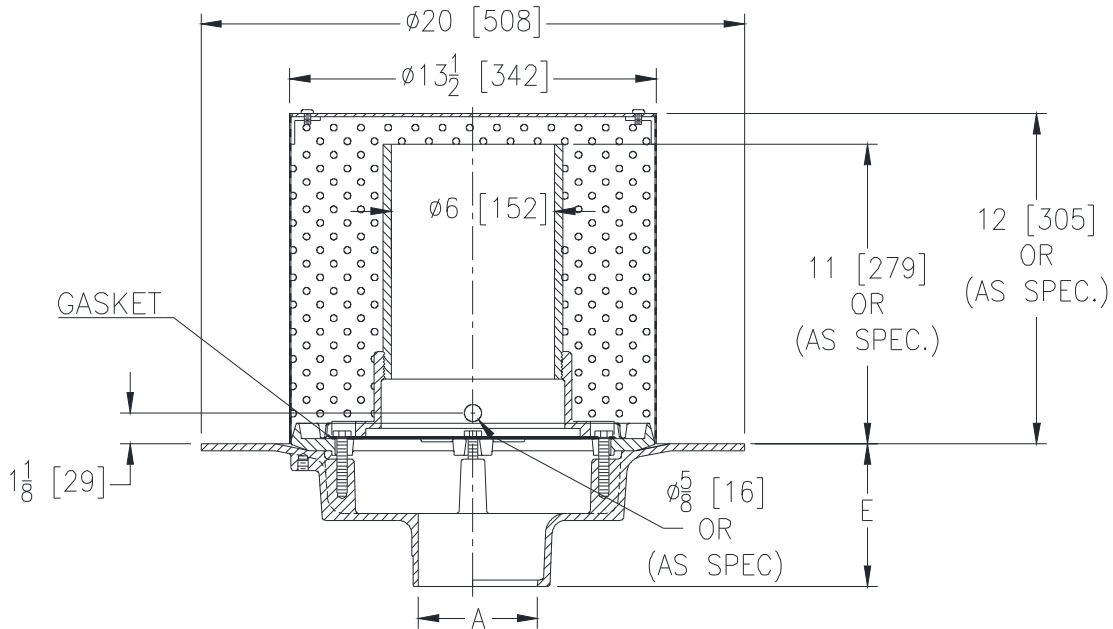
Z107-110

20 [508] WIDE DECK FLANGE ROOF DRAIN W/
GASKETED FLOW CONTROLLING WATER DAM &
STAINLESS STEEL PERFORATED GRAVEL GUARD

SPECIFICATION SHEET

TAG _____

Dimensional Data (inches and [mm]) are Subject to Manufacturing Tolerances and Change Without Notice



'A' Pipe Size In. [mm]	Approx. Wt. Lbs. [kg]
2,3,4 [51,76,102]	49 [22]
6,8 [152,203]	49 [22]

ENGINEERING SPECIFICATION: ZURN Z107-110

20" [508mm] Diameter wide deck flange roof drain. Dura-Coated cast iron body with combination membrane flashing clamp/gravel guard, gasketed flow control water dam with 5/8" [16mm] dia hole, 6" [152mm] standpipe and stainless steel perforated gravel guard with solid secured top.

OPTIONS (Check/specify appropriate options)

PIPE SIZE

- 3,4,6 [76,102,152]
- 3,4 [76,102]
- 3,4,6,8 [76,102,152,203]

(Specify size/type) **OUTLET**

- _____ IC Inside Caulk
- _____ IP Threaded
- _____ NH No-Hub

E BODY HT. DIM.

- 5-1/4 [133]
- 5-1/4 [133]
- 5-1/4 [133]

PREFIXES

- _____ Z D.C.C.I. Body

SUFFIXES

- _____ -AC Angular Underdeck Clamp
- _____ -AR Acid Resistant Epoxy Coated
- _____ -C Underdeck Clamp
- _____ -E Static Extension 1 [25] thru 4 [102] (Specify Ht.)
- _____ -EA Adjustable Extension Assembly (2-1/8 [54] thru 3-1/2 [89])
- _____ -G Galvanized Cast Iron
- _____ -VP Vandal-Proof Secured Top
- _____ -90 90° Threaded Side Outlet Body (2 thru 6 [51 or 152])

* Regularly furnished unless otherwise specified.