



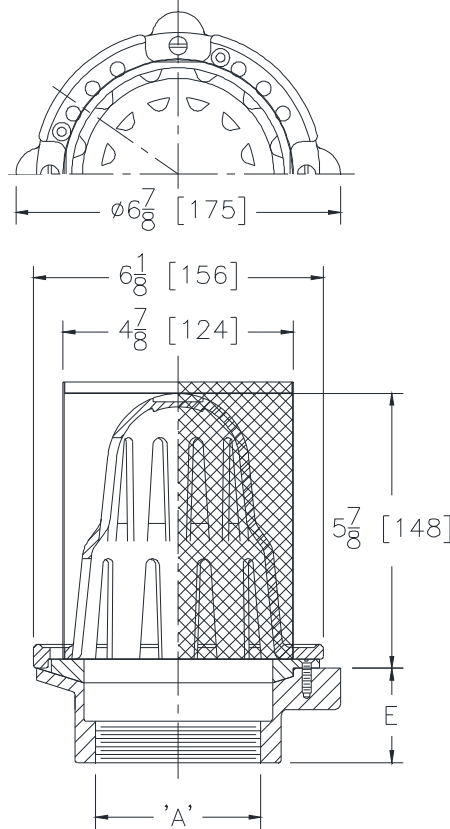
Z181-BS-HD

6 [152] DIAMETER CORNICE DRAIN BOTTOM OUTLET W/ HIGH DOME AND BRONZE MESH SCREEN

SPECIFICATION SHEET

TAG _____

Dimensional Data (inches and [mm]) are Subject to Manufacturing Tolerances and Change Without Notice



A- Pipe Size In. [mm]	Approx. Wt. Lbs.[kg]	Dome Open Area Sq. In.[cm ²]
3 [76]	6 [3]	20 [129]
4 [102]	7 [4]	

ENGINEERING SPECIFICATION: ZURN ZRB181-BS-HD
6" [152mm] Diameter by 5-7/8" [148mm] High cornice drain, Dura-Coated cast iron body, plain bronze high dome, bronze mesh screen and membrane flashing clamp.

OPTIONS (Check/specify appropriate options)

PIPE SIZE

3, 4 [76, 102]

3, 4 [76, 102]

(Specify size/type) OUTLET

_____ IP Threaded

_____ NH No-Hub (IP w/ Z1040)

'E' BODY HT. DIM.

2 [51]

4-1/2 [114]

PREFIXES

_____ ZRB D.C.C.I. Body with Plain Bronze Dome*

_____ ZN D.C.C.I. Body with Polished Nickel Bronze Dome

SUFFIXES

_____ -C Underdeck Clamp

_____ -G Galvanized Cast Iron

_____ -R Roof Sump Receiver

_____ -VP Vandal Proof Secured Top

* Regularly furnished unless otherwise specified.

Zurn Industries, LLC | Specification Drainage Operation
 1801 Pittsburgh Avenue, Erie, PA U.S.A. 16502 · Ph. 855-663-9876, Fax 814-454-7929
 In Canada | Zurn Industries Limited
 3544 Nashua Drive, Mississauga, Ontario L4V 1L2 · Ph. 905-405-8272, Fax 905-405-1292
www.zurn.com

Rev. B
 Date: 10/04/2017
 C.N. No. 138366
 Prod. | Dwg. No. Z181-BS-HD