



Z1400-SZ-K

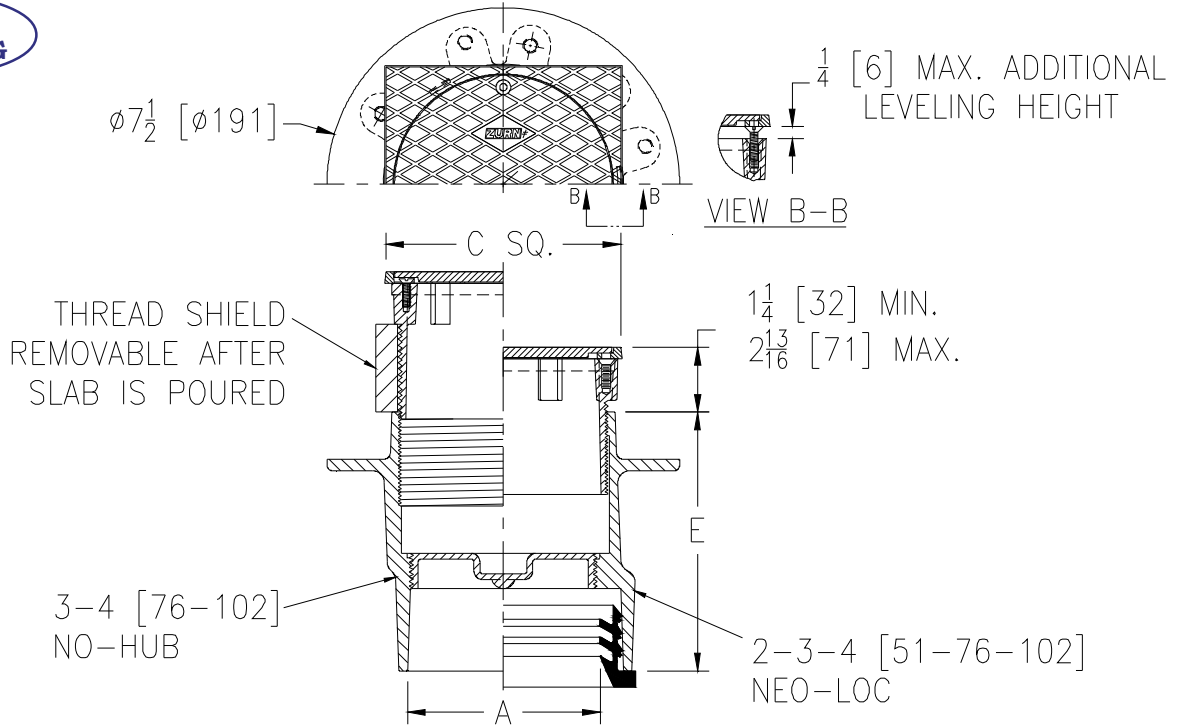
SPECIFICATION SHEET

"LEVEL-TROL" SQUARE ADJUSTABLE LEVELING FLOOR CLEANOUT W/ ANCHOR FLANGE

TAG _____

Dimensional Data (inches and [mm]) are Subject to Manufacturing Tolerances and Change Without Notice

**PATENT
PENDING**



Dimension In Inches			Approx. Wt. Lbs. [kg.]
A-Pipe Size	C Square	E	
No-Hub			
3-4 [76-102]	5-1/32 [128]	5-3/8 [137]	10.5 [4.8]
Neo-Loc			
2-3 [51-76]	5-1/32 [128]	5-3/8 [137]	10.8 [4.9]
4 [102]	5-1/32 [128]	5-3/8 [137]	12.1 [5.5]

ENGINEERING SPECIFICATION: ZURN Z1400-SZ-K

"Level-Trol" Square adjustable leveling floor cleanout, Dura-Coated cast iron body with anchor flange, with gas and watertight ABS tapered thread plug, and round scoriated secured light-duty top and square veneer frame (Specify finish ZB, ZN, or ZS) with additional leveling adjustment to finished floor.

PIPE SIZE (Specify size/type) **OUTLET**

3,4 [76-102] _____ NH No-Hub

2,3,4 [51-76-102] _____ NL Neo-Loc

'E' BODY HT. DIM.

See Chart
See Chart

OPTIONS (Check/specify appropriate options)

PREFIXES

- ___ ZB D.C.C.I. w/ Polished Bronze Top
- ___ ZN D.C.C.I. w/ Polished Nickel Bronze Top
- ___ ZS D.C.C.I. w/ Polished Type 304 (CF8) Stainless Steel Top

SUFFIXES

- ___ -AR Acid Resisting Epoxy Coated Finish
- ___ -BP Bronze Plug
- ___ -C Clamp Collar
- ___ -CM Carpet Marker
- ___ -G Galvanized Cast Iron
- ___ -SA Stabilizer Assembly
- ___ -SM Special Marking Stamped on Top
- ___ -TC Neo-Loc Test Cap Gasket (2 thru 4 [51 thru 102] NL Bottom Outlet Only)
- ___ -VP Vandal-Proof Screws

REV.	DATE: 07/19/12	C.N. NO. 124582
DWG. NO. 310136	PRODUCT NO. Z1400-SZ-K	

*REGULARLY FURNISHED UNLESS OTHERWISE SPECIFIED

ZURN INDUSTRIES, LLC. ♦ SPECIFICATION DRAINAGE OPERATION ♦ 1801 Pittsburgh Ave. ♦ Erie, PA 16514

Phone: 814/455-0921 ♦ Fax: 814/454-7929 ♦ World Wide Web: www.zurn.com

In Canada: ZURN INDUSTRIES LIMITED ♦ 3544 Nashua Drive ♦ Mississauga, Ontario L4V1L2 ♦ Phone: 905/405-8272 Fax: 905/405-1292