



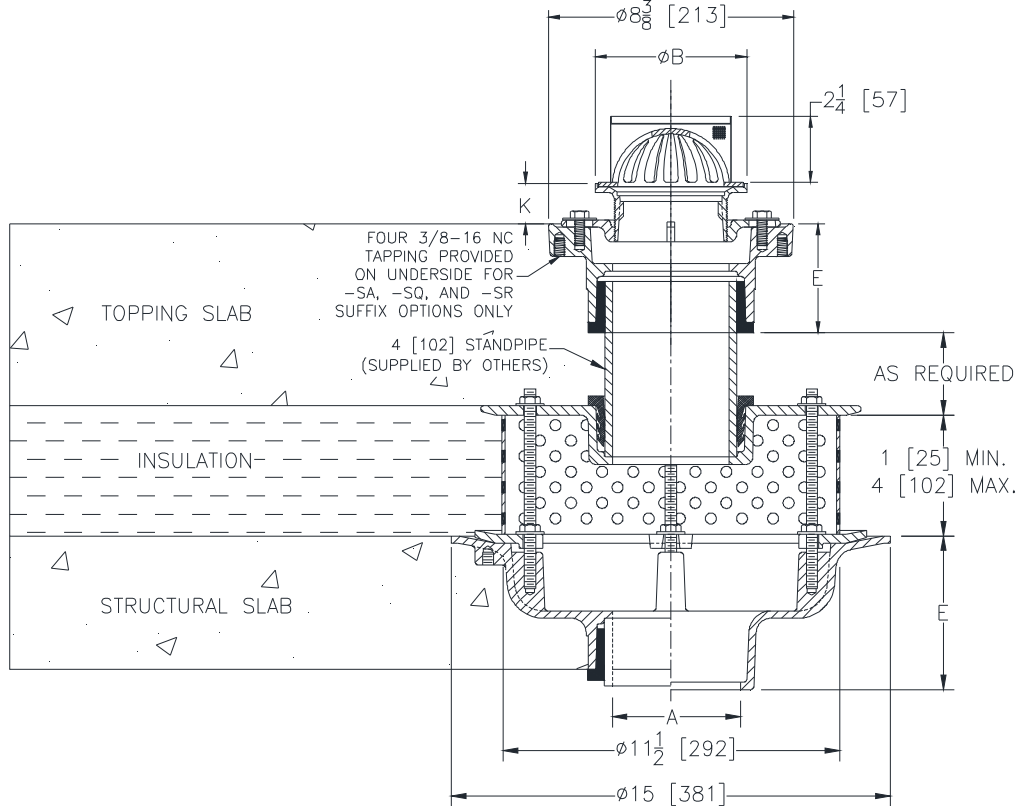
# Z625-110

ISOLATION DECK ADJUSTABLE DRAIN W/  
Z415G UPPER ASSEMBLY W/ STAINLESS STEEL  
SCREEN OVER DOME AND STAINLESS STEEL  
PERFORATED EXTENSION

SPECIFICATION SHEET

TAG \_\_\_\_\_

Dimensional Data (inches and [ mm ]) are Subject to Manufacturing Tolerances and Change Without Notice



A Pipe Size In [mm]	Approx. Wt. Lbs. [kg]	Dome Open Area Sq. In. [cm <sup>2</sup> ]
2, 3, 4 [51, 76, 102]	56 [25]	43 [277]
5, 6 [127, 152]		

### ENGINEERING SPECIFICATION: ZURN Z625-110

Adjustable isolation deck drain, Dura-Coated cast iron upper and lower bodies, upper and lower clamp collars, stainless steel perforated extension, neoprene flex gasket, with "Type G" strainer, polished nickel bronze dome and stainless steel mesh screen.

### OPTIONS (Check/specify appropriate options)

#### PIPE SIZE

2,3,4,6 [51,76,102,152]  
2,3,4,6 [51,76,102,152]  
2,3,4,6 [51,76,102,152]  
2,3,4,6 [51,76,102,152]  
2,3,4,6 [51,76,102,152]

#### (Specify size/type) OUTLET

\_\_\_ IC Inside Caulk  
\_\_\_ IG Inside Caulk w/Sealtrol Gskt.  
\_\_\_ IP Threaded  
\_\_\_ NH No-Hub  
\_\_\_ NL Neo-Loc

#### 'E' BODY HT. DIM.

5-1/4 [133]  
5-1/4 [133]  
3-3/4 [95]  
5-1/4 [133]  
4-5/8 [117]

#### PREFIXES

\_\_\_ Z D.C.C.I. Body and Dome  
\_\_\_ ZA D.C.C.I. Body and Aluminum Dome  
\_\_\_ ZRB D.C.C.I. Body and Plain Bronze Dome

#### SUFFIXES

\_\_\_ -AR Acid Resistant Epoxy Coated Finish  
\_\_\_ -C Underdeck Clamp (Lower Body)  
\_\_\_ -G Galvanized Cast Iron  
\_\_\_ -R Sump Receiver (Lower Body)  
\_\_\_ -VP Vandal-Proof Secured Top

\* Regularly furnished unless otherwise specified.