

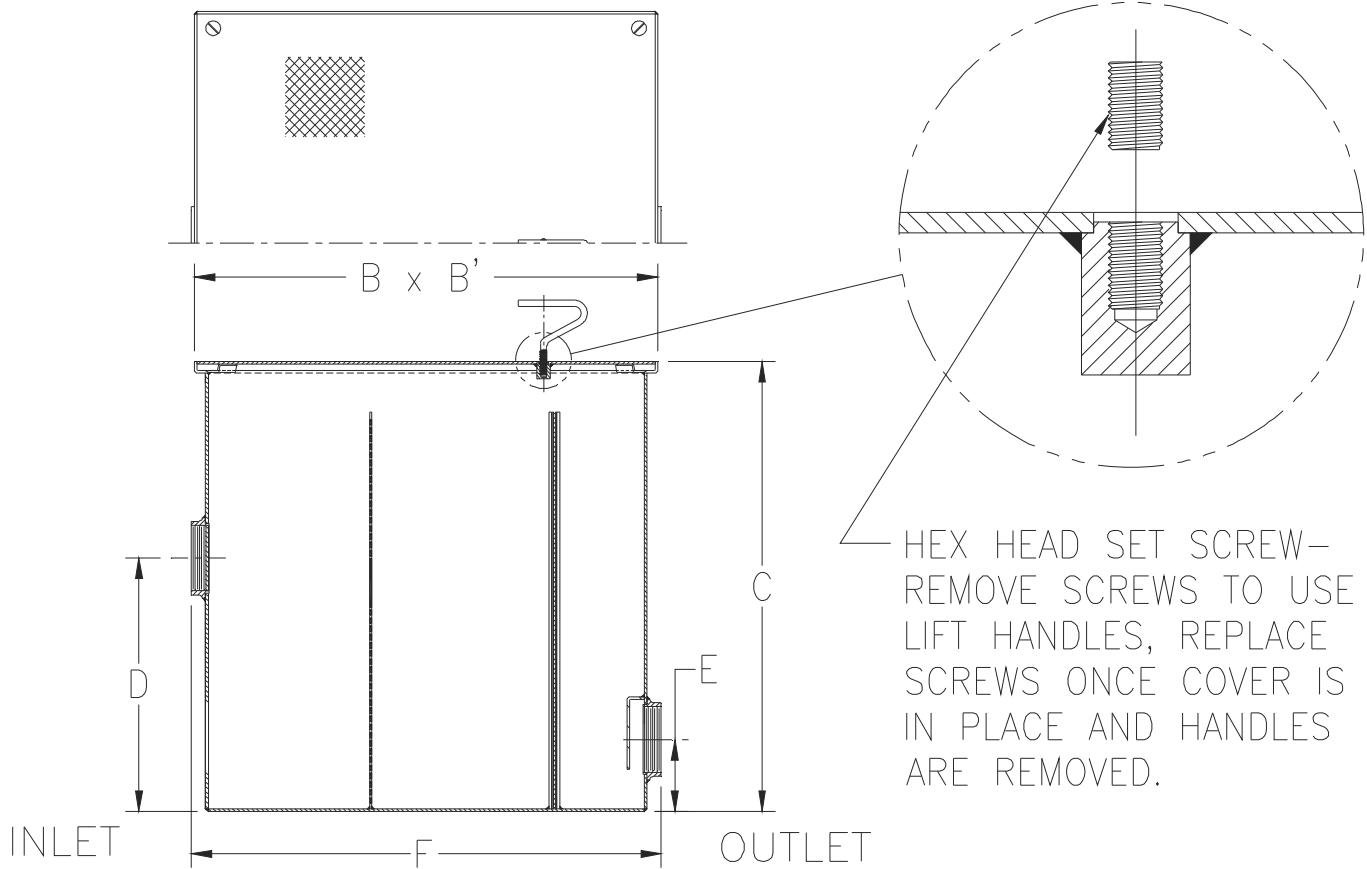


Z1185-164
SIZE 10 LINT INTERCEPTOR
W/ 4 [102] I/O AND INTEGRAL EXTENSION

SPECIFICATION SHEET

TAG _____

Dimensional Data (inches and [mm]) are Subject to Manufacturing Tolerances and Change Without Notice



HEX HEAD SET SCREW -
 REMOVE SCREWS TO USE
 LIFT HANDLES, REPLACE
 SCREWS ONCE COVER IS
 IN PLACE AND HANDLES
 ARE REMOVED.

Size No. of Machines	Inlet/Outlet Size	Flow Rate G.P.M. [L.P.M.]	Approx. Wt. Lbs. [kg]	Dimensions In Inches					
				B	B'	C	D	E	F
10	4 [102]	100 [379]	271 [123]	33 [838]	33 [838]	41-5/8 [1057]	25 [635]	4 [102]	34 [864]

ENGINEERING SPECIFICATION: ZURN Z1185-164

Acid Resistant Coated interior and exterior fabricated steel lint interceptor, non-skid secured cover, with stainless lint intercepting secondary screen assembly and permanent primary straining baffle. Regularly furnished with high inlet and low outlet.

OPTIONS (Check/specify appropriate options)

PREFIXES

____ Z Acid Resistant Coated Fabricated Steel*

SUFFIXES

____ -RS Stainless Steel Screen Replacement Assembly

* Regularly furnished unless otherwise specified.