



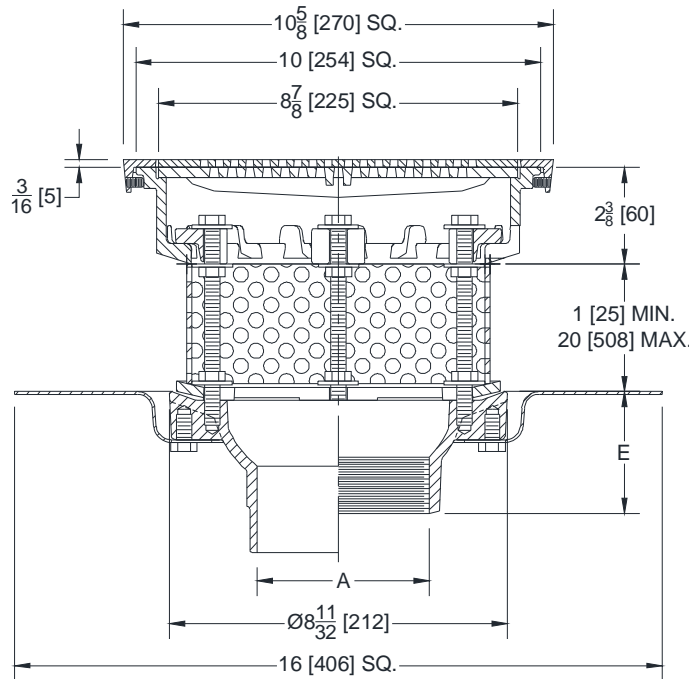
# Z158-DP-DT-85

10 [254] SQUARE TOP PROM-DECK DRAIN WITH DECORATIVE HEEL PROOF GRATE, PERFORATED EXTENSION, ROTATABLE FRAME, & TOP-SET® DECK PLATE

SPECIFICATION SHEET

TAG \_\_\_\_\_

Dimensional Data (inches and [ mm ]) are Subject to Manufacturing Tolerances and Change Without Notice



A Pipe Size In [mm]	Approx. Wt. Lbs. [kg]	Grate Open Area Sq. In. [cm <sup>2</sup> ]
2,3,4 [51,76,102]	22 [10]	21 [136]

### ENGINEERING SPECIFICATION: ZURN Z158-DP-DT-85

10" [254mm] Square top prom-deck drain, Dura-Coated cast iron body with rotatable square promenade frame with seepage openings, frame clamps, stainless steel perforated extension, secondary clamp collar and decorative light-duty heel-proof grate, and Top-Set® Deck Plate.

### OPTIONS (Check/specify appropriate options)

#### PIPE SIZE

- 3,4 [76,102]
- 4 [102]
- 3 [76]
- 2 [51]
- 2,3,4 [51,76,102]
- 2,3,4 [51,76,102]

#### (Specify size/type) OUTLET

- \_\_\_ IC Inside Caulk
- \_\_\_ IP Threaded
- \_\_\_ IP Threaded
- \_\_\_ IP Threaded
- \_\_\_ NH No-Hub
- \_\_\_ NL Neo-Loc

#### 'E' BODY HT. DIM.

- 3-7/8 [98]
- 3 [76]
- 2-3/4 [70]
- 2-7/16 [62]
- 3-31/32 [101]
- 3-13/16 [97]

### PREFIXES

- \_\_\_ ZB D.C.C.I. Body with Polished Bronze Top (Add 3/16 [5] to 2-3/8 [60] Dim & 5/8 [16] to 10 [254] Dim)\*
- \_\_\_ ZN D.C.C.I. Body with Polished Nickel Bronze Top (Add 3/16 [5] to 2-3/8 [60] Dim & 5/8 [16] to 10 [254] Dim)

### SUFFIXES

- \_\_\_ -AR Acid Resistant Epoxy Coated
- \_\_\_ -C Underdeck Clamp
- \_\_\_ -E 2 [51] High Static Extension
- \_\_\_ -EB Top-Set® Adjustable Extension Assembly
- \_\_\_ -G Galvanized Cast Iron
- \_\_\_ -TC Neo-Loc Test Cap Gasket (2,3,4 [51,76,102]NL Bottom Outlet only)
- \_\_\_ -TS Top Secured with Slotted Screws
- \_\_\_ -VP Vandal-Proof Secured Top
- \_\_\_ -Y Sediment Bucket

\* Regularly furnished unless otherwise specified.