



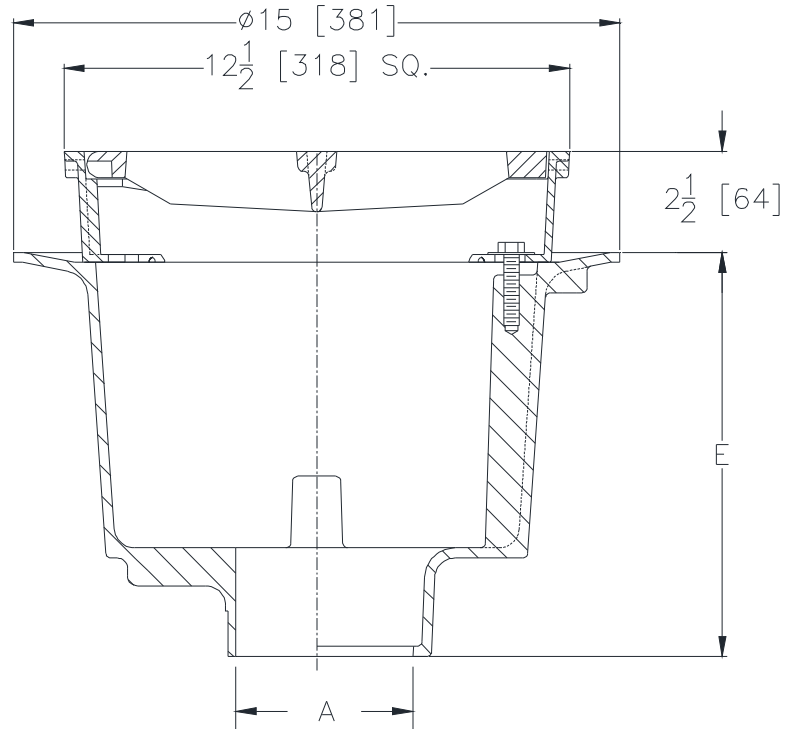
Z539-LY-T

12-1/2 [318] SQUARE HEAVY DUTY DRAIN WITH DEEP SUMP

SPECIFICATION SHEET

TAG _____

Dimensional Data (inches and [mm]) are Subject to Manufacturing Tolerances and Change Without Notice



A Pipe Size In [mm]	Approx. Wt. Lbs. [kg]	Grate Open Area Sq. In. [cm ²]
3,4,6 [76,102,152]	68 [31]	42 [271]
8 [203]		

ENGINEERING SPECIFICATION: ZURN Z539-LY-T
12-1/2" [318mm] Square top drain. Dura-Coated cast iron deep sump body with bottom outlet, seepage pan and combination membrane flashing clamp and frame for slotted grate.

OPTIONS (Check/specify appropriate options)

PIPE SIZE

3,4,6,8 [76,102,152,203]
3,4 [76,102]

(Specify size/type) OUTLET

____ NH No-Hub
____ NL Neo-Loc

'E' BODY HT. DIM.

10 [254]
9-5/16 [237]

PREFIXES

____ Z D.C.C.I. Body and Top*
____ ZN D.C.C.I. Body with Polished Nickel Bronze Top (Add 3/16 [5] to 2-1/2 [64] Dim. and 3/4 [20] to 12-1/2 [318] Dim.)

SUFFIXES

____ -G Galvanized Cast Iron
____ -TC Neo-Loc Test Cap Gasket (3,4 [76,102] NL Bottom Outlet Only)
____ -TS Top Secured with Slotted Screws
____ -VP Vandal Proof Secured Top
____ -YF Free Standing Bucket

* Regularly furnished unless otherwise specified.