



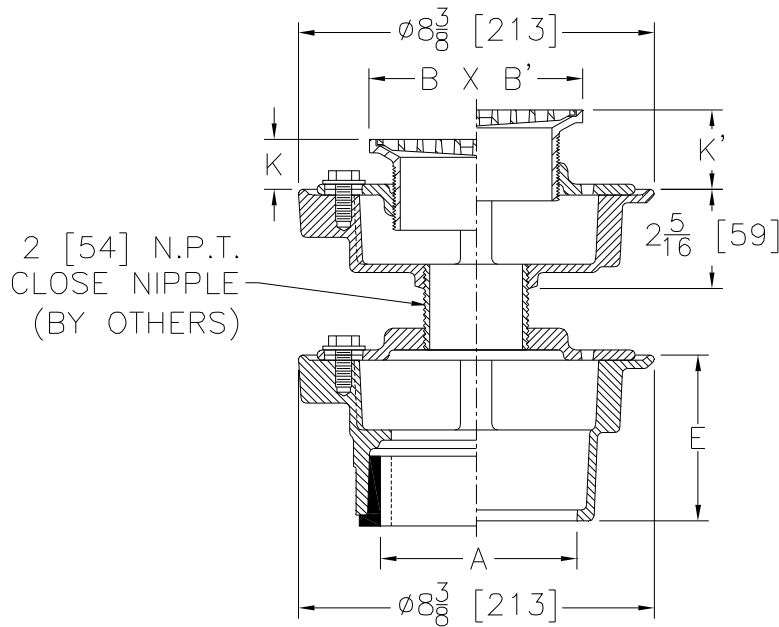
Z415S-93

BODY ASSEMBLIES W/ "TYPE S" STRAINER

SPECIFICATION SHEET

TAG _____

Dimensional Data (inches and [mm]) are Subject to Manufacturing Tolerances and Change Without Notice



Dimensions In Inches						Approx. Wt. Lbs. [kg]	Strainer Open Area Sq. In. [cm ²]
A - Pipe Size	B x B' Strainer Top Size	K		K'			
		Min.	Max.	Min.	Max.		
2-3 [51-76]	5 x 5 [127 x 127]	7/8 [22]	1 3/4 [44]	1 1/2 [38]	2 5/8 [67]	12 [5]	9 [58]
2-3 [51-76]	6 x 6 [152 x 152]	1 [25]	1 7/8 [48]	1 5/8 [41]	2 7/8 [73]	13 [6]	13 [84]
2-3 [51-76]	7 x 7 [178 x 178]	1 1/4 [32]	2 5/8 [67]	1 5/8 [41]	3 1/2 [89]	14 [6]	21 [135]

ENGINEERING SPECIFICATION: ZURN ZN415S-93 Floor and shower drain, Dura-Coated cast iron bodies with bottom outlets, combination invertible membrane clamps with seepage slots, and "TYPE S" polished nickel bronze square heel-proof strainer.

OPTIONS (Check/specify appropriate options)

PIPE SIZE	(Specify size/type)	OUTLET	'E' BODY HT. DIM.
2-3 [51-76]	_____	IC Inside Caulk	3 7/8 [98]
2-3 [51-76]	_____	IG Inside Gasket	3 7/8 [98]
2 [51]	_____	IP Threaded	2 3/8 [60]
3 [76]	_____	IP Threaded	2 5/8 [67]
2-3 [51-76]	_____	NH No-Hub	3 7/8 [98]
2-3 [51-76]	_____	NL Neo-Loc	3 3/4 [95]

PREFIXES

- _____ ZB D.C.C.I. Body Assembly w/ Polished Bronze Top
- _____ ZN D.C.C.I. Body Assembly w/ Polished Nickel Bronze Top*

SUFFIXES

- _____ -AR Acid Resisting Epoxy Coated Cast Iron
- _____ -CP Chrome-Plated Top
- _____ -DP Decorative Polished Top
- _____ -G Galvanized Cast Iron
- _____ -HD Heavy-Duty Grate (ZN 6x6 [152 x 152] Only)
- _____ -P Trap Primer Connection
(Specify 1/2 [13] or 3/4 [19] Lower Body Only)
- _____ -PD Prom-Deck Top (8 x 8 [203 x 203] Only)
- _____ -SR Stabilizer Ring
- _____ -U 1 - 3 [25 - 76] High Extension Adapter
- _____ -V Backwater Valve
- _____ -VP Vandal-Proof Secured Top
- _____ -Y Sediment Bucket
- _____ -18 Leveling Ring (See Z400-18)

*REGULARLY FURNISHED UNLESS OTHERWISE SPECIFIED

REV.	DATE: 1/19/09	C.N. NO. 99583
DWG. NO. P-15649 PRODUCT NO. Z415S-93		

ZURN INDUSTRIES, LLC ♦ SPECIFICATION DRAINAGE OPERATION ♦ 1801 Pittsburgh Ave. ♦ Erie, PA 16514

Phone: 814/455-0921 ♦ Fax: 814/454-7929 ♦ World Wide Web: www.zurn.com

In Canada: ZURN INDUSTRIES LIMITED ♦ 3544 Nashua Drive ♦ Mississauga, Ontario L4V1L2 ♦ Phone: 905/405-8272 Fax: 905/405-1292