



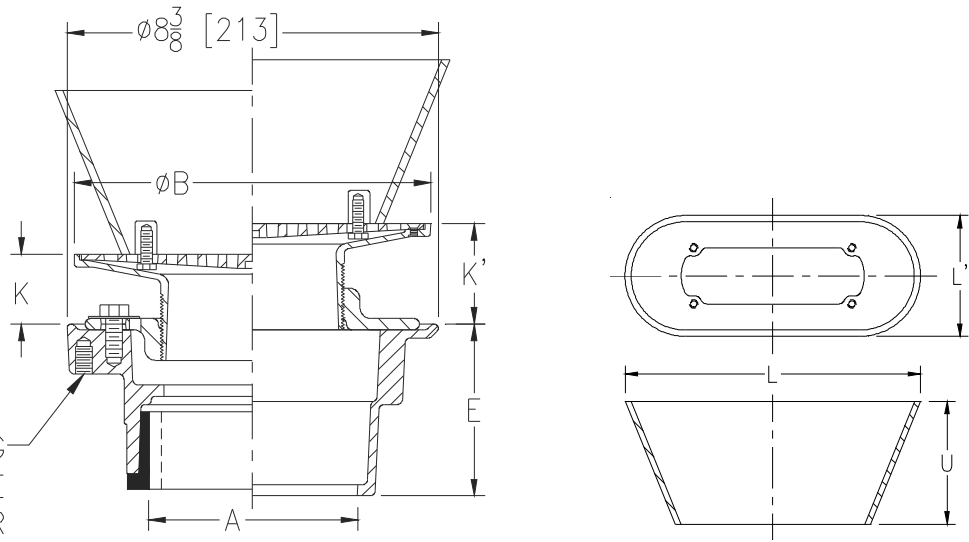
Z415B-OF

FLOOR AND SHOWER DRAIN W/ "TYPE B" STRAINER AND OVAL FUNNEL

SPECIFICATION SHEET

TAG _____

Dimensional Data (inches and [mm]) are Subject to Manufacturing Tolerances and Change Without Notice



FOUR 3/8-16 UNC TAPPING PROVIDED ON UNDERSIDE FOR -SA, -SQ, AND -SR SUFFIX OPTIONS ONLY

Dimensions in In [mm]						Approx Wt. lbs [kg]	Strainer Open Area in ² [cm ²]	Funnel Dimensions in In [mm]			Approx Wt.
A	B	K		K'				L	L'	U	
Pipe Size	Strainer	Min	Max	Min	Max						
2,3,4 [51,76,102]	6 [152]	3/4 [19]	1-3/4 [44]	1-5/8 [41]	2-3/4 [70]	13 [6]	9 [58]	6-3/4 [171]	3 [76]	1 [5]	2 [1]
2,3,4 [51,76,102]	7 [178]	1 [25]	2-1/4 [57]	2 [51]	3-1/8 [79]	14 [6]	12 [77]	8-7/8 [225]	3-1/4 [83]	3-3/4 [95]	5 [2]
3,4 [76,102]	8 [203]	1-1/8 [29]				16 [7]	18 [116]				
6 [152]								18 [8]			
6 [152]	10 [254]	1-5/8 [41]	2-5/8 [67]	2-5/8 [67]	3-1/2 [89]	22 [10]	26 [168]				

ENGINEERING SPECIFICATION: ZURN ZN415B-OF Floor and shower drain, Dura-Coated cast iron body with bottom outlet, combination invertible membrane clamp, adjustable collar with "TYPE B" polished nickel bronze strainer and oval funnel converting assembly 7" [178mm] or 9" [229mm] (Specify).

OPTIONS (Check/specify appropriate options)

PIPE SIZE

(Specify size/type) **OUTLET**

E BODY HT. DIM.

2,3,4 [51,76,102]	_____	IC	Inside Caulk	4-3/16 [106]
2 [51]	_____	IP	Threaded	2-7/16 [62]
3 [76]	_____	IP	Threaded	2-3/4 [70]
4 [102]	_____	IP	Threaded	2-13/16 [71]
6 [152]	_____	IP	Threaded	2-7/8 [73]
2,3,4 [51,76,102]	_____	NH	No-Hub	3-13/16 [97]
2,3,4 [51,76,102]	_____	NL	Neo-Loc	3-7/8 [98]

PREFIXES

- _____ ZB D.C.C.I. Body with Polished Bronze Top
- _____ ZN D.C.C.I. Body with Polished Nickel Bronze Top*

SUFFIXES

- | | | | |
|-----------|---|-----------|---|
| _____ -AR | Acid Resistant Epoxy Coated Cast Iron | _____ -TC | Neo-Loc Test Cap Gasket (2,3,4 [51,76,102] NL Bottom Outlet Only) |
| _____ -G | Galvanized Cast Iron | _____ -U | 1 - 3 [25 - 76] High Extension Adapter |
| _____ -P | Trap Primer Connection (Specify 1/2 [13] or 3/4 [19]) | _____ -V | Backwater Valve |
| _____ -SA | Sabilizer Assembly (See Z1035) | _____ -VP | Vandal Proof Secured Top |
| _____ -SQ | Stabilizer Q-Deck (See Z1035-Q) | _____ -Y | Sediment Bucket |
| _____ -SR | Stabilizer Ring (See Z400-U) | _____ -90 | 90° Threaded Side Outlet Body |

* Regularly furnished unless otherwise specified.