



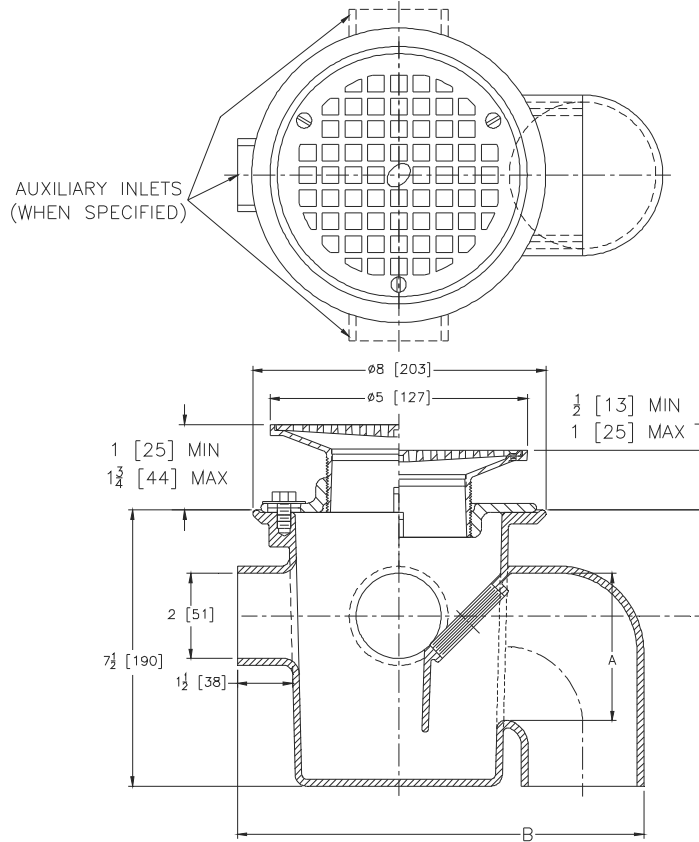
# Z356-83

## MULTI-INLET ADJUSTABLE FLOOR DRAIN WITH TRAP W/ BOTTOM OUTLET & NO-HUB AUXILIARY INLETS

SPECIFICATION SHEET

TAG \_\_\_\_\_

Dimensional Data (inches and [ mm ]) are Subject to Manufacturing Tolerances and Change Without Notice



Dimensions in Inches [mm]			Approx. Wt. Lbs. [kg]
A	B	M	
4 [102]	12-11/32 [314]	3-23/32 [94]	18 [8]

### ENGINEERING SPECIFICATION: ZURN Z356-83

Multi-Inlet adjustable floor drain with trap, Dura-Coated cast iron body with integral trap seal, complete with plastic cleanout plug, invertable collar and 5" [127mm] round, polished nickel bronze adjustable top, and bottom outlet.

### OPTIONS (Check/specify appropriate options)

#### PIPE SIZE

3,4 [76,102]

(Specify size/type) **OUTLET**

\_\_\_\_ NH No-Hub

#### PREFIXES

- \_\_\_\_ ZB D.C.C.I. Body w/Polished Bronze Top
- \_\_\_\_ ZN D.C.C.I. Body w/Polished Nickel Bronze Top\*

#### SUFFIXES

- \_\_\_\_ -AR Acid Resisting Epoxy Coated Cast Iron
- \_\_\_\_ -BP Bronze Plug
- \_\_\_\_ -G Galvanized Cast Iron
- \_\_\_\_ -J Auxiliary Inlet Connection (Opposite Outlet)
- \_\_\_\_ -J2 Two (2) Auxiliary Inlet Connections  
(1 Opposite Outlet, 1 Left Side Facing Outlet)
- \_\_\_\_ -J3 Three Auxiliary Inlet Connections
- \_\_\_\_ -PC Protective Cover
- \_\_\_\_ -LT Less Trapseal (plug)
- \_\_\_\_ -VP Vandal-Proof Secured Top

\* Regularly furnished unless otherwise specified.