

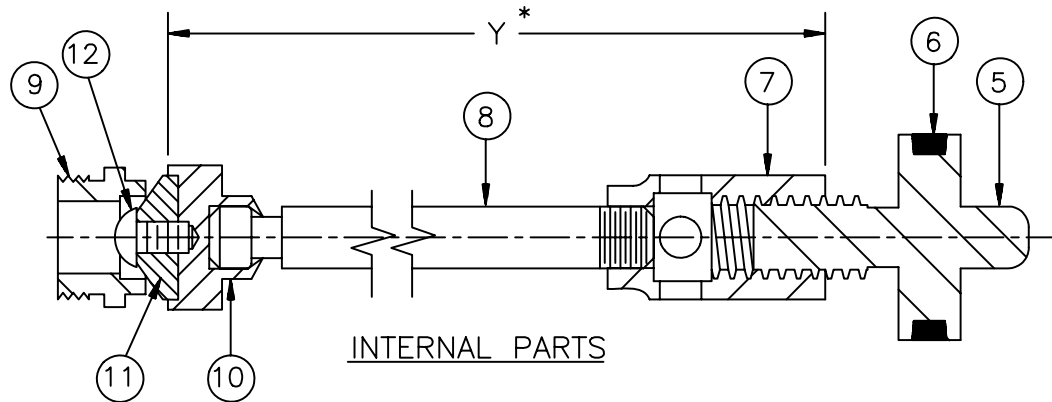
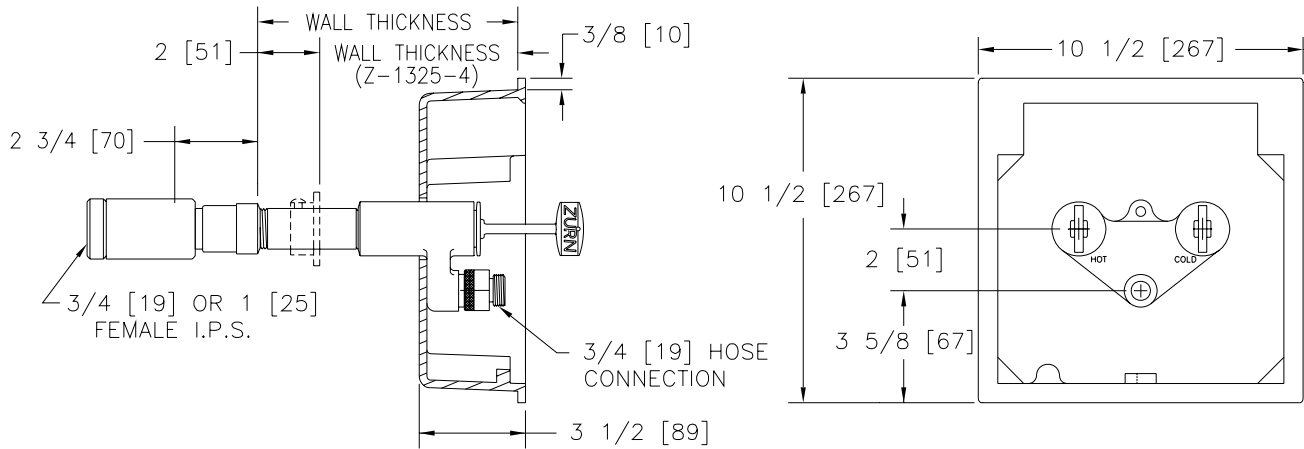


Z1325-75

WALL HYDRANT w/ Vacuum Breaker, In-line Check Valves, Operating Handles, Less Box Cover Encased, Vari-Temp, Non-Freeze

TAG _____

Dimensional Data (inches and [mm]) are Subject to Manufacturing Tolerances and Change Without Notice



Wall Thickness Inches	Approx. Wt. Lbs. [kg]
6-8 [152-203]	27 [12]
10-12-14 [254-305-356]	31 [14]
16-18 [406-457]	35 [16]
20-22-24 [508-559-610]	39 [18]

ENGINEERING SPECIFICATION: ZURN Z1325-75 "Vari-Temp" combination hot and cold water, non-freeze, encased wall hydrant for flush installation. Complete with bronze casing, all bronze interior parts, non-turning operating rods with free-floating compression closure valves, replaceable bronze seat and seat washer, and combination 3/4 [19] female or 1 [25] male straight IP inlet. Nickel bronze box less hinged cover with vacuum breaker, spring loaded check valves on both supply lines and extended handles.

NOTE: When (-VB) vacuum breaker suffix is specified, the vacuum breaker must be manually tripped at the end of usage to facilitate drainage of the hydrant and maintain the non-freeze feature.

OPTIONS (Check/specify appropriate options)

SUFFIXES

- ___ -RK Hydrant Parts Repair Kit
- ___ -PB Polished Bronze Face
- ___ -RA2 12 [305] Replacement Rod Assembly with Repair Kit (-RK)
- ___ -RA4 24 [610] Replacement Rod Assembly with Repair Kit (-RK)
- ___ -RB Plain Bronze Face
- ___ -WC Wall Clamp

PARTS LIST

Item	Name	Quan.
5	Operating Screw	1
6	O-Ring	1
7	Operating Coupling	1
8	Operating Rod	1
9	Removable Seat	1
10	Washer Guide	1
11	Washer (neoprene)	1
12	Screw	1

REV. A	DATE: 4/24/08	C.N. NO. 98401
DWG. NO. P-14517 PRODUCT NO. Z1325-75		

*WHEN ORDERING REPLACEMENT PARTS SPECIFY Y DIM.