



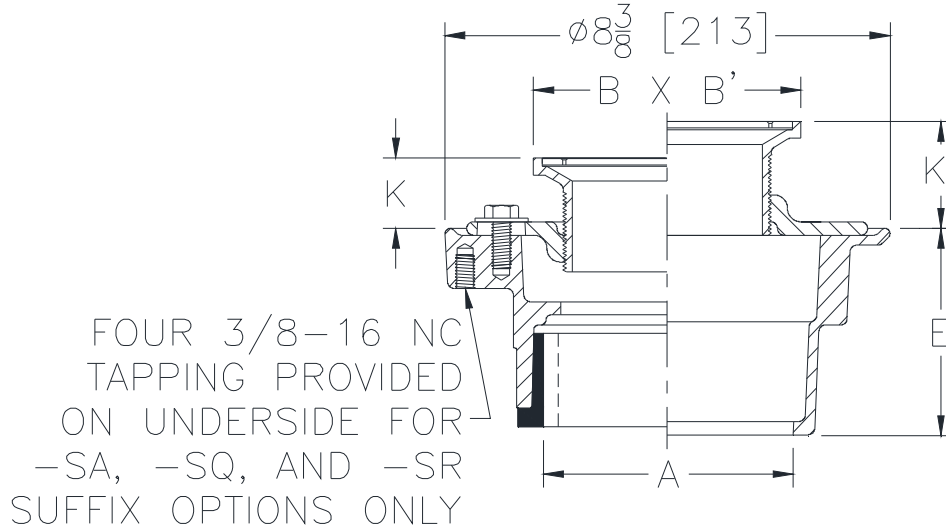
ZS415SS-75

BODY ASSEMBLY
W/ STAINLESS STEEL GASKETED SOLID COVER

SPECIFICATION SHEET

TAG _____

Dimensional Data (inches and [mm]) are Subject to Manufacturing Tolerances and Change Without Notice



Dimensions In Inches [mm]						Approx. Wt. Lbs. [kg]
A Pipe Size	B x B' Strainer Top Size	K		K'		
		Min.	Max.	Min.	Max.	
2,3,4 [51,76]	5 x 5 [127 x 127]	1 [25]	1-19/32 [40]	1-1/4 [32]	2-3/8 [60]	11 [5]
2,3,4 [51,76,102]	6 x 6 [152 x 152]	1 [25]	1-27/32 [47]	1-13/32 [36]	2-19/32 [66]	12 [5-1/2]
3,4 [76,102]	8 x 8 [203 x 203]	1-3/32 [28]	1-7/8 [48]	1-3/4 [44]	2-5/8 [67]	15 [7]

ENGINEERING SPECIFICATION: ZURN ZS415SS-75

Floor and shower drain, Dura-Coated cast iron body with bottom outlet, combination invertible membrane clamp and adjustable collar with seepage slots and stainless steel gasketed solid cover.

OPTIONS (Check/specify appropriate options)

PIPE SIZE

2,3,4 [51,76,102]
2,3,4 [51,76,102]
2 [51]
3 [76]
4 [102]
2,3,4 [51,76,102]
2,3,4 [51,76,102]

(Specify size/type) OUTLET

___ IC Inside Caulk
___ IG Inside Gasket
___ IP Threaded
___ IP Threaded
___ IP Threaded
___ NH No-Hub
___ NL Neo-Loc

'E' BODY HT. DIM.

3-7/8" [98]
3-7/8" [98]
2-3/8" [60]
2-5/8" [67]
2-7/8" [73]
3-7/8" [98]
3-3/4" [95]

PREFIXES

___ ZS D.C.C.I. Body Assembly w/ Square type 304 (CF8) Stainless Steel Top*
___ ZM D.C.C.I. Body Assembly w/ Square type 316 (CF8M) Stainless Steel Top
___ ZL D.C.C.I. Body Assembly w/ Square type 316 (CF3M) Stainless Steel Top

SUFFIXES

___ -AR Acid Resisting Epoxy Coated Cast Iron	___ -U 1 - 3 [25 - 76] High Extension Adapter
___ -G Galvanized Cast Iron	___ -V Backwater Valve
___ -P Trap Primer Connection (Specify 1/2 [13] or 3/4 [19])	___ -VP Vandal-Proof Secured Top
___ -SA Stabilizer Assembly (See Z1035)	___ -Y Sediment Bucket
___ -SQ Stabilizer Q-Deck (See Z1035-Q)	___ -90 90° Threaded Side Outlet Body Assembly (2 [51], 3 [76] Only)
___ -SR Stabilizer Ring	
___ -TC Neo-Loc Test Cap Gasket (2 - 4 [51 - 102] NL Bottom Outlet Only)	

* Regularly furnished unless otherwise specified.