



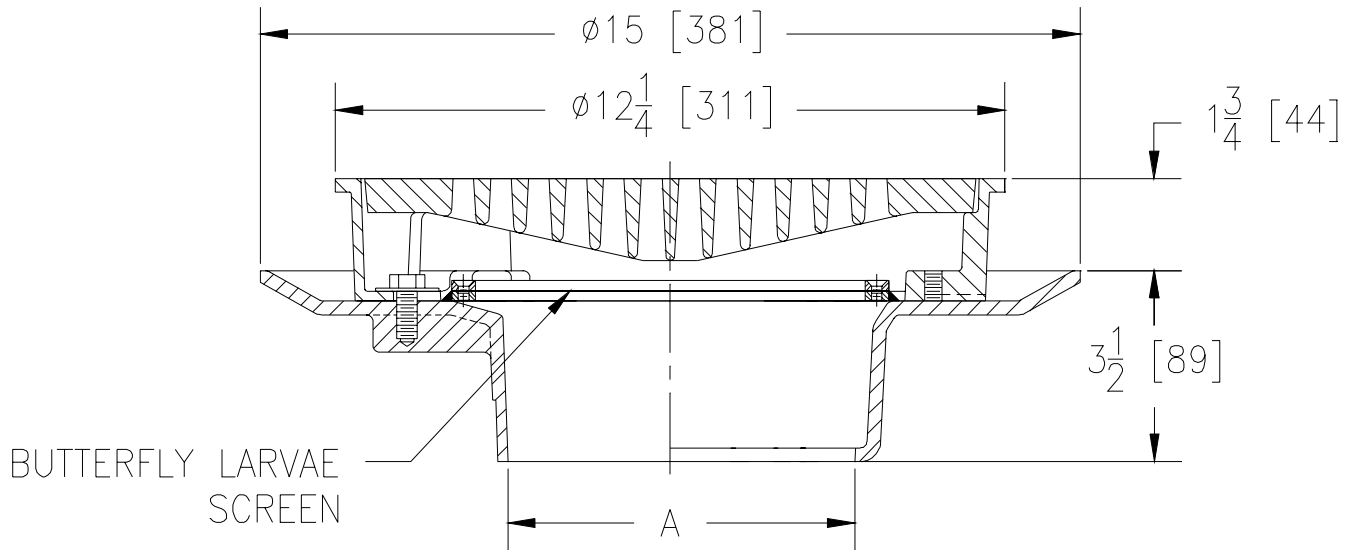
Z-504-76

12" [305] MEDIUM DUTY DRAIN W/ BUTTERFLY LARVAE SCREEN

SPECIFICATION SHEET

TAG _____

Dimensional Data (inches and [mm]) are Subject to Manufacturing Tolerances and Change Without Notice



A- Pipe Size In.	Approx. Wt. Lbs. [kg]	Grate Open Area Sq. In. [cm ²]
3-4-6 [75-100-150]	32 [15]	30 [194]

ENGINEERING SPECIFICATION: ZURN Z-504-76 12 [305] Diameter top drain, Dura-Coated cast iron body with bottom outlet, seepage pan and combination membrane flashing clamp and frame for medium duty deep flange slotted grate.

OPTIONS (Check/specify appropriate options)

PIPE SIZE

- 3, 4, 6 [75, 100, 150]
- 3, 4, 6 [75, 100, 150]
- 3, 4, 6 [75, 100, 150]
- 3, 4, 6 [75, 100, 150]
- 3, 4 [75, 100]

(Specify size/type) **OUTLET**

- ___ IC Inside Caulk
- ___ IG Inside Caulk w/Sealtrol Gskt.
- ___ IP Threaded
- ___ NH No-Hub
- ___ NL Neo-Loc

'E' BODY HT. DIM.

- 3 1/2 [89]
- 3 1/2 [89]
- 3 1/2 [89]
- 3 1/2 [89]
- 2 5/8 [67]

PREFIXES

- ___ Z- D.C.C.I. Body and Grate*
- ___ ZB- D.C.C.I. Body with Polished Bronze Grate (Add 3/16 [5] to 1 3/4 [44] Dim.)
- ___ ZN- D.C.C.I. Body with Polished Nickel Bronze Grate (Add 3/16 [5] to 1 3/4 [44] Dim.)

SUFFIXES

- ___ -AR Acid Resisting Epoxy Coated Cast Iron
- ___ -DG Duresist Grate
- ___ -F Extension Frame
- ___ -G Galvanized Cast Iron
- ___ -HT Square Hinged Grate
- ___ -S Secondary Strainer
- ___ -SC Solid Cover
- ___ -T Square Top
- ___ -TS Top Secured With Slotted Screws
- ___ -V Backwater Valve (See Z-1099)
- ___ -VP Vandal Proof Secured Top
- ___ -Y Sediment Bucket

*REGULARLY FURNISHED UNLESS OTHERWISE SPECIFIED

REV.	DATE: 4/7/98	C.N. NO. 80191
DWG. NO. P-14613	PRODUCT NO. Z-504-76	

ZURN INDUSTRIES, INC. ♦ SPECIFICATION DRAINAGE OPERATION ♦ 1801 Pittsburgh Ave. ♦ Erie, PA 16514

Phone: 814/455-0921 ♦ Fax: 814/454-7929 ♦ World Wide Web: www.zurn.com

In Canada: ZURN INDUSTRIES LIMITED ♦ 3544 Nashua Drive ♦ Mississauga, Ontario L4V1L2 ♦ Phone: 905/405-8272 Fax: 905/405-1292