



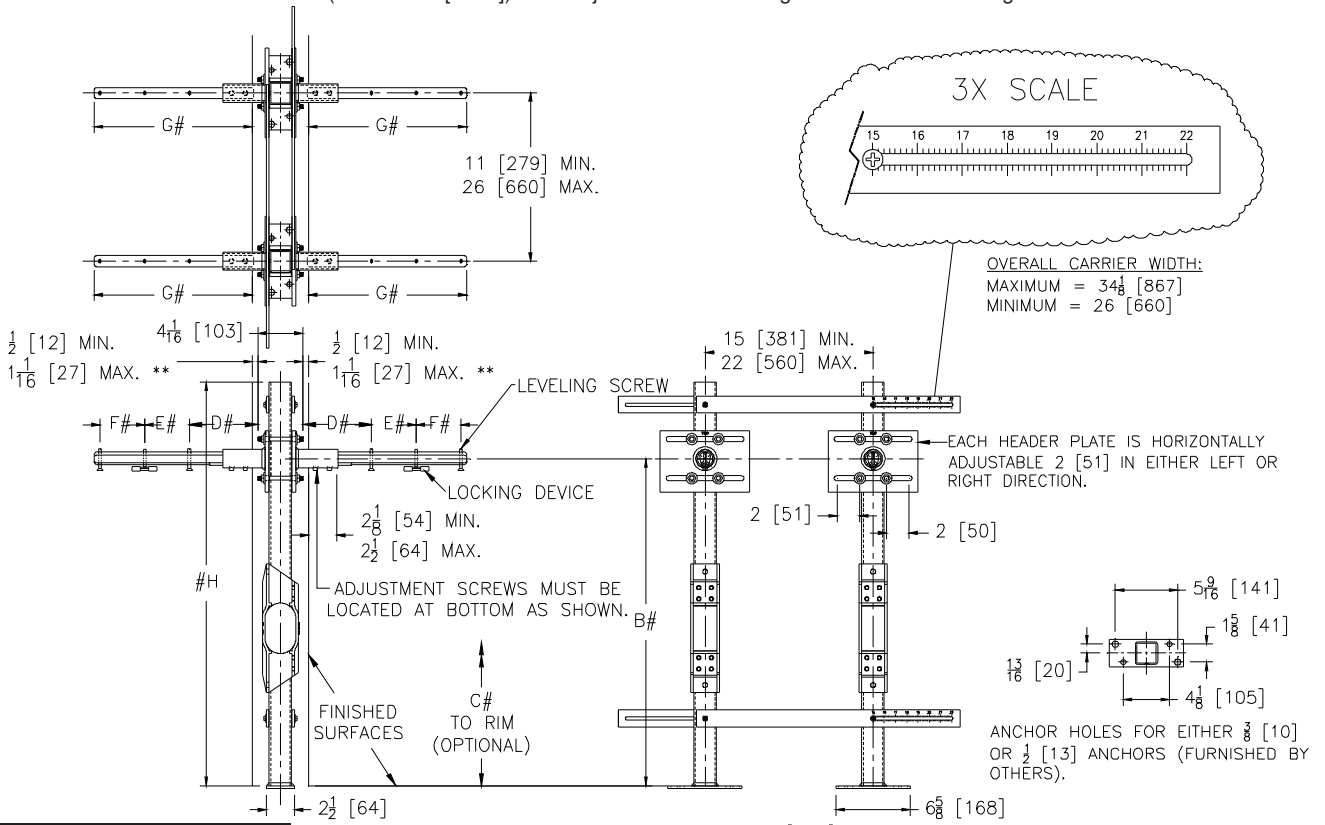
# Z1231-EZR-D-WL

CONCEALED ARM CARRIER SYSTEM FOR BACK TO BACK WALL HUNG LAVATORY W/ ADJUSTABLE UPRIGHTS, HEADER PLATES, AND WASTE LINE SLEEVES

SPECIFICATION SHEET

TAG \_\_\_\_\_

Dimensional Data (inches and [ mm ]) are Subject to Manufacturing Tolerances and Change Without Notice



\*\* WITH STANDARD SLEEVE LENGTH OF 4 [102]  
# REFER TO ROUGH-IN GUIDE OF SPECIFIC FIXTURE FOR DIM.

Product No.	Approx. Wt. Lbs. [kg]
Z1231-EZR-D-WL	63[24]

## ENGINEERING SPECIFICATION: ZURN Z1231-EZR-D-WL

Back to Back Wall Hung Lavatory Support System complete with Dura-Coated upright supports made from structural carbon-steel square tubing, conforming to ASTM A500 Grade C standards, with welded steel plate mounting feet featuring separate bolt patterns for using either 3/8" [10mm] or 1/2" [13mm] anchors, both meeting OSHPD spacing requirements. Includes waste line sleeves, along with lower and upper EZ-installation plates, marked with an indexed ruler guide for accurate adjustability of upright spacing, from 15" [381mm] to 22" [560mm]. Individual slotted header plates with integral welded arm sleeves provide 2" [51mm] of additional horizontal adjustment per plate allowing for a total horizontal adjustment range of 11" [279mm] to 26" [660mm]. Arms are Dura-Coated cast iron and include leveling screws and soft-set elastomeric locking devices. Uprights, EZ-installation plates, and header plates are all factory assembled for easy installation. Uprights are to be cut and waste line sleeves to be installed at desired height in field. Waste line sleeves allow for up to a 2" [51mm] waste line to pass through while exceeding the strength and deflection criteria of the carrier system, as required by ASME A112.6.1M at any adjustment position.

### OPTIONS (Check/specify appropriate options)

#### PREFIXES

\_\_\_ Z Dura-Coated System with Support Plate\*

#### SUFFIXES

\_\_\_ -AL Adapter Lug  
\_\_\_ -E2 Concealed Arm Escutcheons 2 [51] Long

\* Regularly furnished unless otherwise specified.

Zurn Industries, LLC | Specification Drainage Operation  
1801 Pittsburgh Avenue, Erie, PA U.S.A. 16502 · Ph. 855-663-9876, Fax 814-454-7929  
In Canada | Zurn Industries Limited  
3544 Nashua Drive, Mississauga, Ontario L4V 1L2 · Ph. 905-405-8272, Fax 905-405-1292  
[www.zurn.com](http://www.zurn.com)

Rev. -  
Date: 11/16/2017  
C.N. No. 139202  
Prod. | Dwg. No. Z1231-EZR-D-WL