



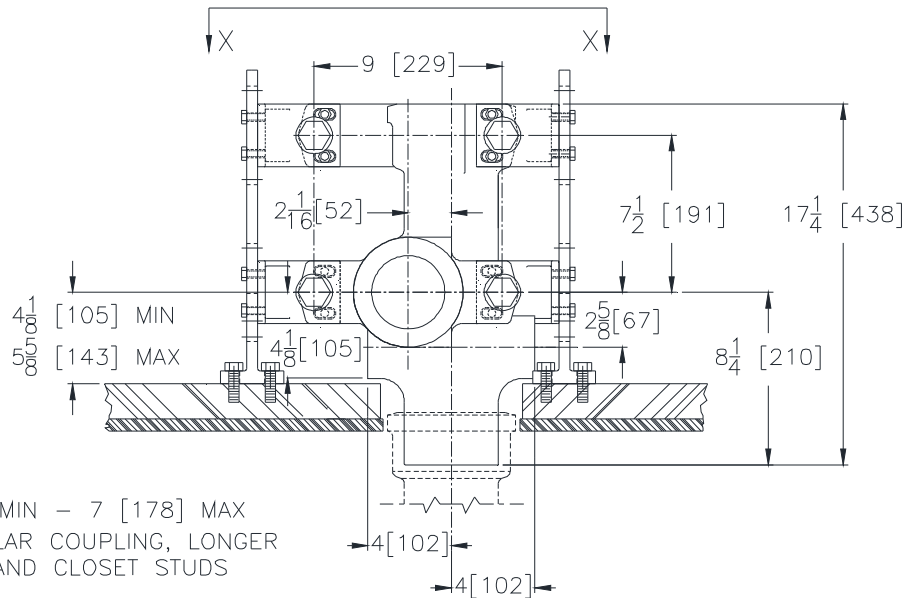
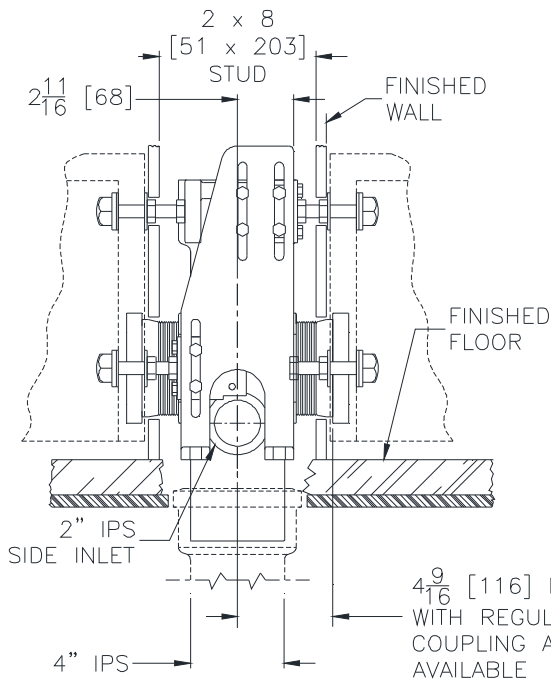
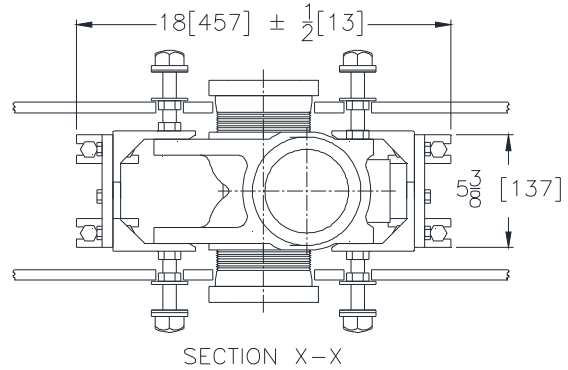
Z1282-D-Y

BACK-TO-BACK FLOOR MOUNTED WATER CLOSET SUPPORT SYSTEM

SPECIFICATION SHEET

TAG _____

Dimensional Data (inches and [mm]) are Subject to Manufacturing Tolerances and Change Without Notice



Product Number	Approx. Wt. Lbs. [kg]
Z1282-D-Y	50 [21]

ENGINEERING SPECIFICATION: ZURN Z1282-D-Y
 Back-to-back floor mounted water closet support system. Complete with Dura-Coated cast iron 4" [102mm] hub & spigot fitting with 4" [102mm] vent, support brackets, foot support system, corrosion resistant ABS coupling, fixture bolts and trim, and bonded "Neo-Seal" gasket.

OPTIONS (Check/specify appropriate options)

PREFIXES

___ Z Dura-Coated Plate System*

SUFFIXES

___ -X4 4 [102] Inch High Foot Extension (See Z1200-FT-EXT-4)

* Regularly furnished unless otherwise specified.